

Turbo
INCANTO

INSTALLATION AND USER'S MANUAL

Contents

INTRODUCTION	3
SAFETY PRECAUTION	3
Electrical Shock Hazard	3
WALL MOUNTING INSTALLATION	4
Prepare for installation	4
Installation (Vent outside).....	5
Installation (Vent inside)	8
ISLAND MODEL INSTALLATION	9
SLIM MODEL INSTALLATION	11
OPERATION	14
MAINTENANCE	17
TROUBLESHOOTING	19
ENVIRONMENTAL PROTECTION	20

INTRODUCTION

Thank you for choosing this cooker hood.

This instruction manual is designed to provide you with all required instructions related to the installation, use and maintenance of the appliance.

In order to operate the unit correctly and safely, please read this instruction manual carefully before installation and usage.

The cooker hood made with streamlined design uses high quality materials. Equipped with large power electric motor and centrifugal fan, it also provides strong suction power, low noise operation, non-stick grease filter and easy assembly installation.

SAFETY PRECAUTION

- The cooker hood is for domestic use only. It is not suitable for barbecue, roast shop and other commercial purposes.
- The cooker hood and its filter should be cleaned regularly in order to stay in good working condition.
- Clean the cooker hood according to the instruction manual and keep the unit from danger of burning. There is a fire risk if cleaning is not carried out in accordance with the instructions.
- No direct baking from the gas cooker.
- Do not flame under the range hood.
- Before connecting this appliance check that the power supply cord is not damaged. A damage supply cord must be replaced by qualified service personnel only.
- Ensure adequate ventilation of the room when the range hood is used at the same time as gas appliances;
- The air must not be discharged into a flue that is used for exhausting fumes from other gas appliances;
- Regulations concerning the discharge of air have to be fulfilled.
- This appliance is not intended for use by persons (including children) with reduced physical, sensory or mental capabilities, or lack of experience and knowledge, unless they have been given supervision or instruction concerning use of the appliance by a person slide for their safety.
- Children should be supervised to ensure that they do not play with the appliance.

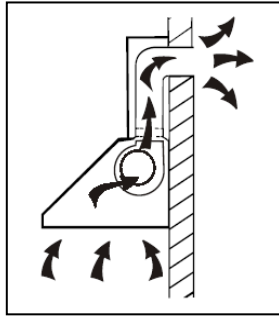
Electrical Shock Hazard

- Only plug this unit into a properly earthed outlet. If in doubt seek advice from a qualified engineer.
- Failure to follow these instructions can result in death, fire, or electrical shock.

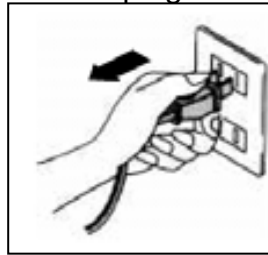
WALL MOUNTING INSTALLATION

Prepare for installation

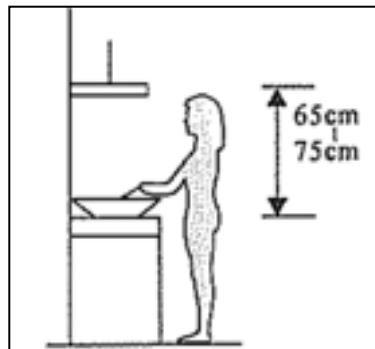
- a. If you have an outlet to the outside, your cooker hood can be connected as below picture by means of an extraction duct (enamel, aluminum, flexible pipe or inflammable material with an interior diameter of 150mm)



- b. Before installation, turn the unit off and unplug it from the outlet.



- c. The cooker hood should be placed at a distance of 65~75cm above the cooking plane for best effect.



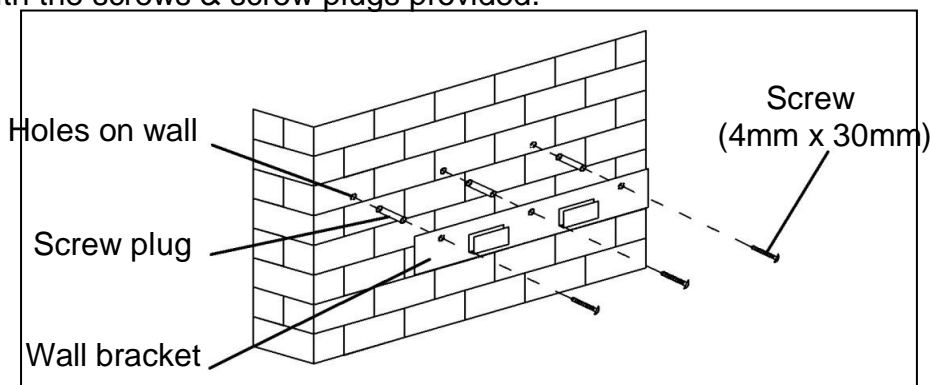
Installation (Vent outside)

Attention! Observe the warning in the instruction sheet concerning the operation of the appliance when air is discharged from the room.

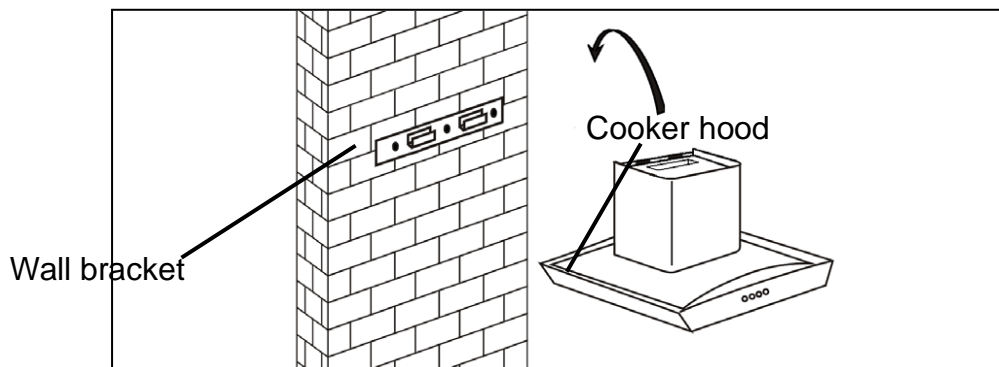
Warning: Failure to install the screws or fixing device in accordance with these instructions may result in electrical hazards

When the range hood and appliance supplied with energy other than electricity are simultaneously in operation, the negative pressure in the room must be not exceed 4 Pa (4×10^{-5} Bar)

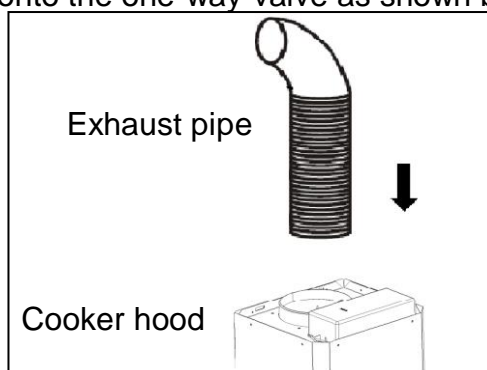
- Drill 3 x 8mm holes to accommodate the bracket. Screw and tighten the bracket onto the wall with the screws & screw plugs provided.



- Lift up the cooker hood and hang onto the wall bracket hook.



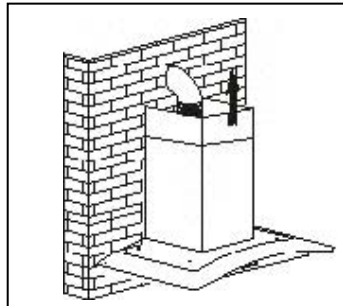
- Fix the one-way-valve to the air outlet of the cooker hood. Then, attached the exhaust pipe onto the one-way-valve as shown below.



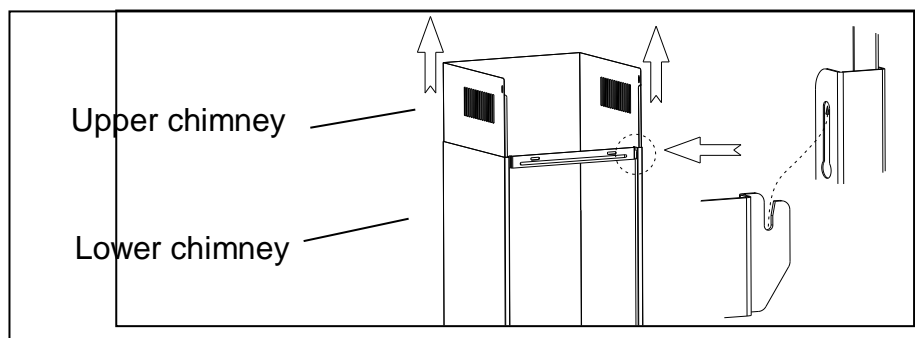
- Chimney installation.

For Glass model and T shape model

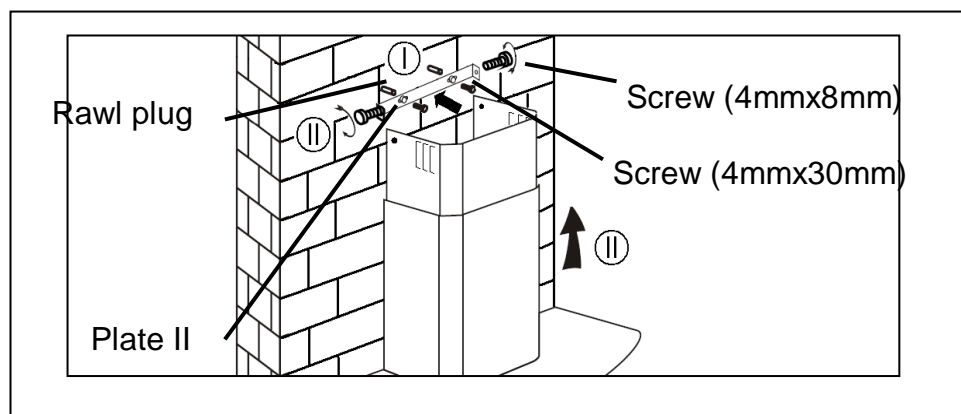
- ◆ Put the upper chimney into the lower chimney. Then pull the upper chimney upwards. Adjust to reach the height required.



- ◆ Slide the chimney to adjust the chimney height. When the height you require is reached, hang the fixing hole to the fixing screws as showed in below pictures.

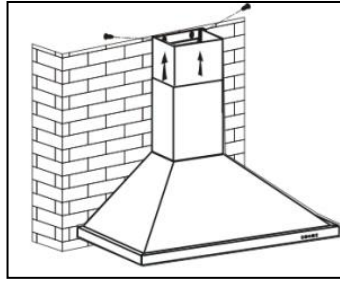


- ◆ Drill 2x8mm holes to accommodate the plate II. Screw and tighten the plate II onto the wall with 2 screws provided. Assemble the chimney onto the unit and fix it with 2 screws.

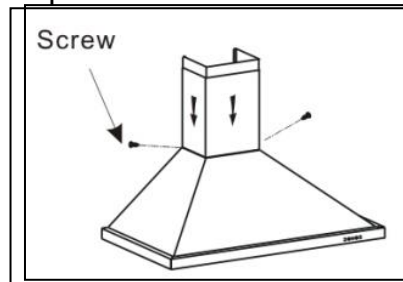


For Tower model

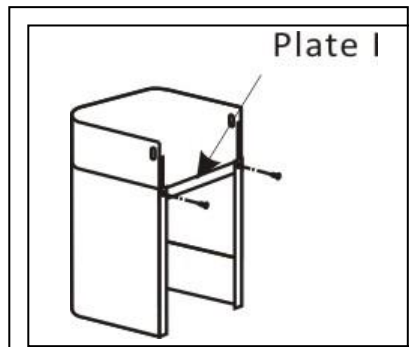
- ◆ Put the inner chimney into upper chimney. Then pull the upper chimney upwards. Adjust to reach the height required.



- ◆ Fix the lower chimney with 2 pcs of 4x8mm screws.

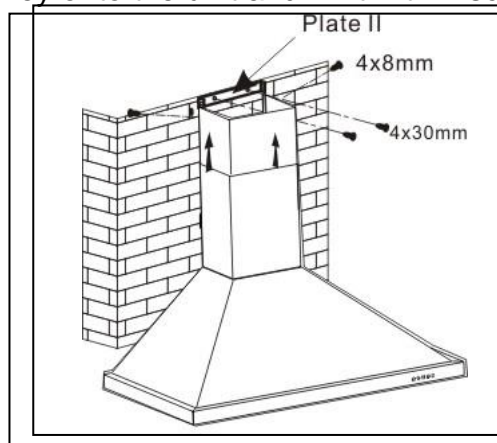


- ◆ Slide the chimney to adjust the chimney height. When the height you require is reached, fix 2 pcs of 4x8mm screws onto the hole fixing with plate I as showed in below pictures.



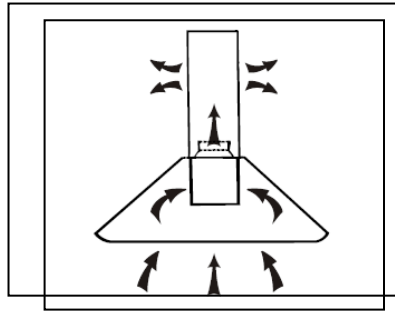
- ◆ Drill 2 x 8mm holes to accommodate the plate II. Screw and tighten the plate II onto the wall with 2 screws provided.

- ◆ Assemble the chimney onto the unit and fix it with 2 screws.



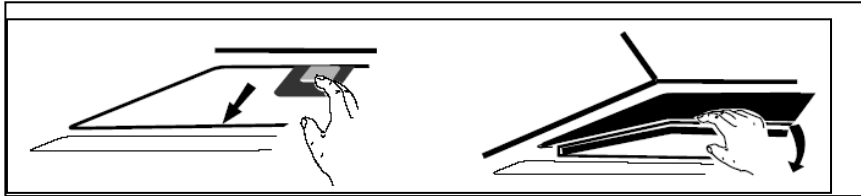
Installation (Vent inside)

If you do not have an outlet to the outside, exhaust pipe is not required and the installation is similar to the one show in section “**Installation (Vent outside)**”.

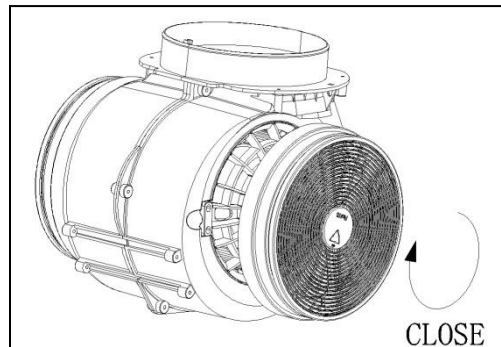


Activated carbon filter can be used to trap odors.

In order to install the activated carbon filter, the grease filter should be detached first. Press the lock and pull it downward.



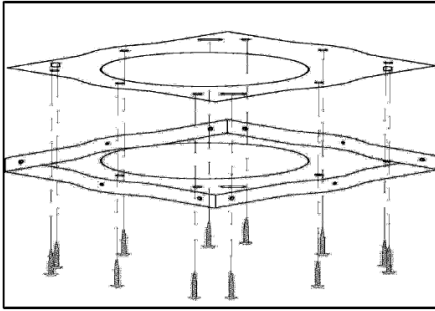
Plug the activated carbon filter into the unit and turn it in clockwise direction. Repeat the same on the other side.



NOTE:

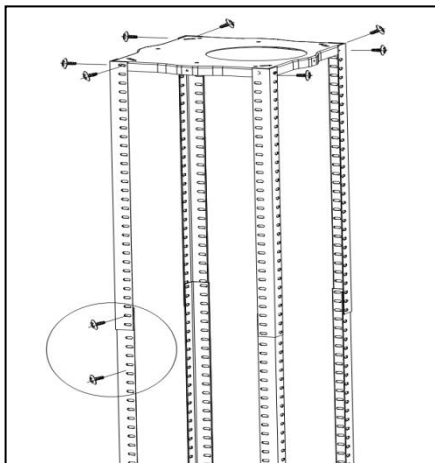
- o *Make sure the filter is securely locked. Otherwise, it would loosen and cause danger.*
- o *When activated carbon filter is attached, the suction power will be lower.*

ISLAND MODEL INSTALLATION



1) Position the hanging plate on the ceiling and then mark the position of the screw holes. The hanging plate should be securely fixed to the ceiling,

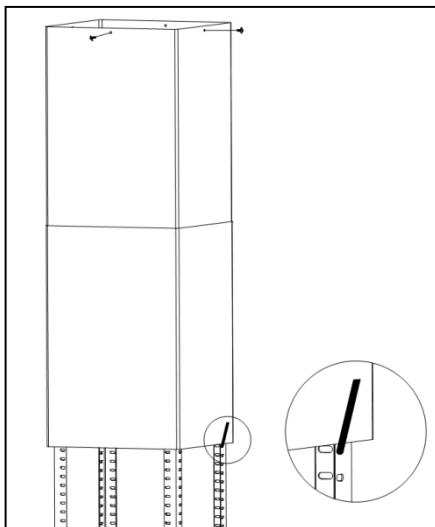
- 11 x ST6 (40 mm) screws for wooden ceiling
- 8 x expansion bolts for cement ceiling



2) Fix the angle bars to the hanging plate, using the 8 x M5 screws.

3) Extend the angle bars to the required height and then fix them in position using the 16 x M5 screws and nuts with metal washers.

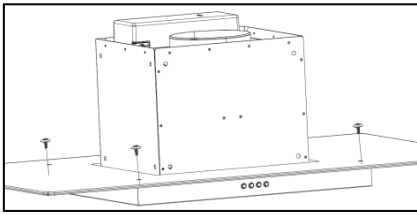
- **IMPORTANT: The angle bars must have an overlap of AT LEAST 100 mm.**



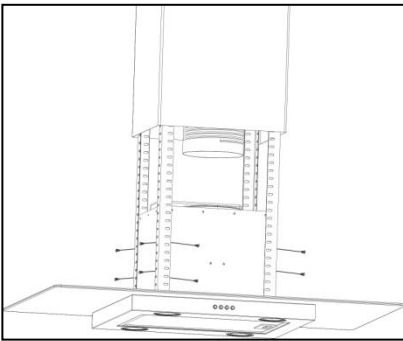
4) If your cooker hood is going to be used in extraction mode, then you should connect the ducting hose to the ceiling adaptor at this point.

Fix the upper chimney section to the hanging plate, using the 4 x self tapping screws.

Slide the lower chimney section onto the angle bars and raise it until it sits just below the upper chimney section.



5) If the glass canopy has not been pre-assembled by the factory, then it should be fixed to the top of the main body of the cooker hood at this stage.



6) Lift the main body of the cooker hood onto the angle bar and then fix it into position using the 16 x M5 screws.

● **IMPORTANT: This stage of the installation process MUST be completed by two people.**

● **IMPORTANT: The 16 x M5 screws MUST be securely tightened.**



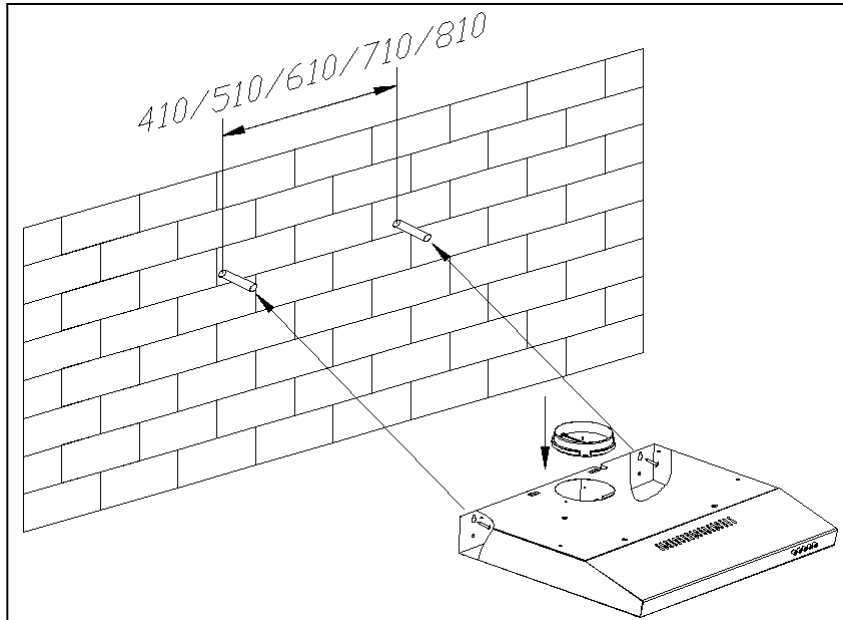
7) If you are going to be using the hood in extraction mode, you should fix the ducting hose to the ceiling.

- The electrical connection must correspond to the electrical requirement noted on the rating plate, which is placed inside the cooker hood. The appliance should now be connected to the electrical supply.
- Check that the appliance is operating correctly by selecting each speed and switching the light bulbs on and off.
- Remove the hanging hook and then slide the lower chimney section downwards, until it rests against the main body of the cooker hood.
- Use a stainless steel cleaner and polish on the stainless steel sections of the appliance.
- If you are using the appliance in recirculation mode, then you should now fit the carbon filter. See the “fitting the carbon filter” section on page 9.

SLIM MODEL INSTALLATION

Method one:

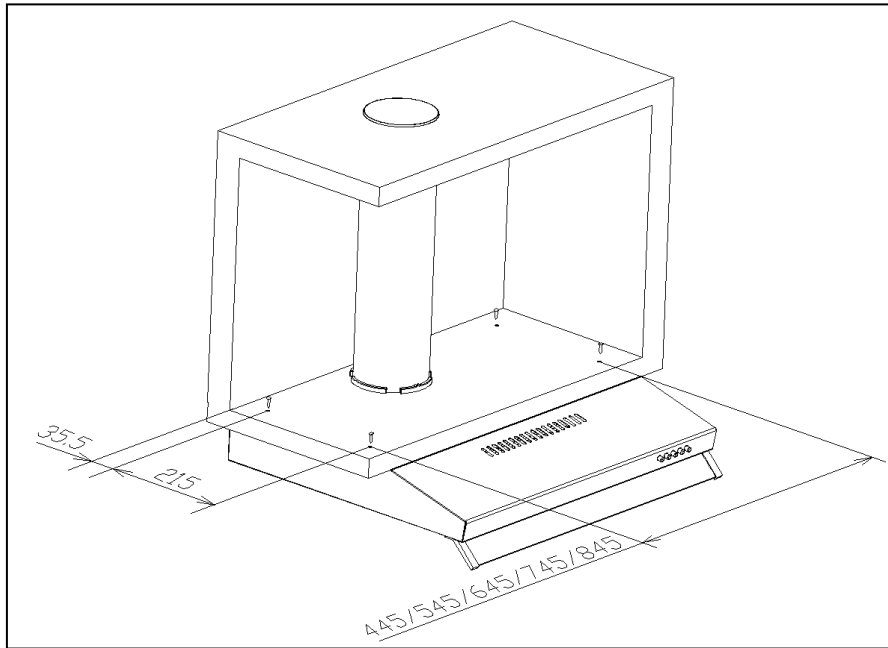
- To install onto the wall drill 2 holes of $\varnothing 8\text{mm}$ on a suitable place according to the centre distance of hole at the back of the cooker hood.
- Insert the nut into the holes.
- Insert the screws into the nuts and tighten. Put the cooker hood onto the tightened screws.



- Fix the cooker hood with safety screw. The two safety vents are positioned on the back casing, with diameter of 6mm.
- Put the one-way valve onto the cooker hood.

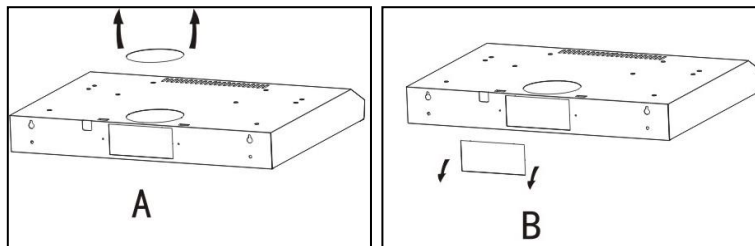
Method two:

- Drill 4 holes of 6mm diameter at the bottom of the hanging cupboard
- Put the one-way valve on the cooker hood, then install the cooker hood on the bottom of the hanging cupboard, tighten the hood with enclosed 4 screws.



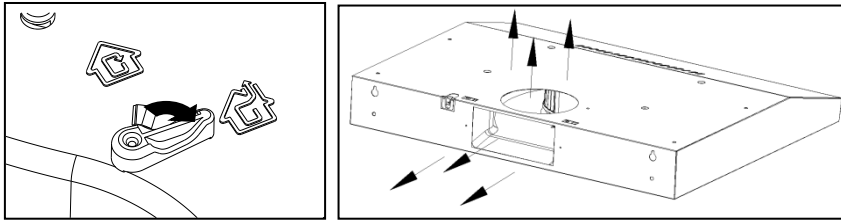
Note:

1. The extensible pipe are optional accessory and are not supplied.
 2. Take off protection film before installation.
 3. There are 2 methods for ventilation, including 'horizontal ventilation' and 'vertical ventilation'. Please pay attention to the ventilation method when installing.
- Vertical ventilation: See Pic A, please use tool to take out the round cover before using, and the air can be vented from top
- horizontal ventilation: See Pic B, please use tool to take out the rectangular cover before using, and the air can be vented from back.
- The rectangular air outlet for horizontal ventilation is not supplied.

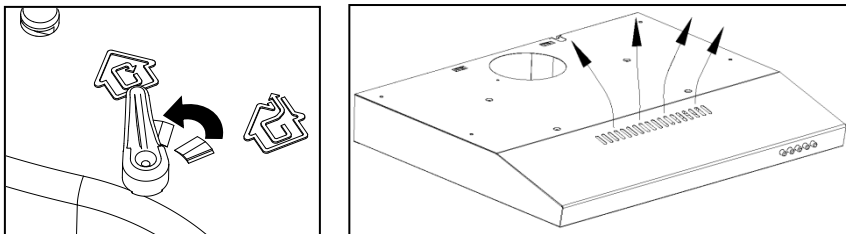


Air ventilation setting

- Outdoor exhausting: Turn the adjuster to outdoor position, install the outlet, turn on the cooker hood, then the air will be vented from the outside outlet.



- Recycling: the recycling mode with carbon filter, Turn the adjuster to indoor position, install the outlet cover, turn on the cooker hood, then the air can be vented from the inside outlet.



- **Note:** The charcoal filter is mounted on the back of the grill and must be changed once every three months.
- **Warning:** the charcoal cannot be washed or recycled. It should be changed at most after 120 hours using. The carbon filter should not be exposed to heat.

OPERATION

Push button/Electronic button 1



0 Off button

It's used for turning off the fan.

Low Speed button

It's used for ventilation in the kitchen. Suitable for simmering and cooking which do not give out too much steam.

Medium Speed button

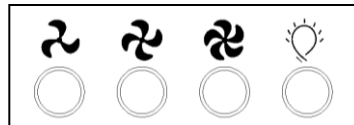
Airflow speed is for ventilation in standard cooking operation.

High Speed button

When high density of smoke or steam is produced, press high-speed button for highest effective ventilation.

Light button

Electronic button 2



Low Speed button

It's used for ventilation in the kitchen. Suitable for simmering and cooking which do not give out too much steam.

Medium Speed button

Airflow speed is for ventilation in standard cooking operation.

High Speed button

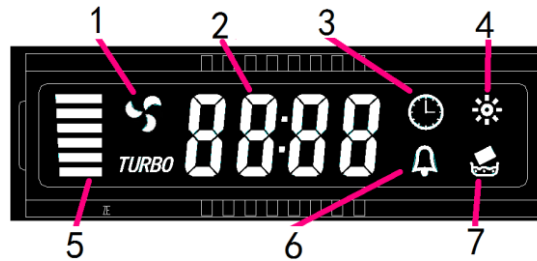
When high density of smoke or steam produced, press high-speed button for highest effective ventilation.

Light button

NOTE: If Low / Medium / High speed buttons are press at the same time, the unit will only operate at the highest speed.

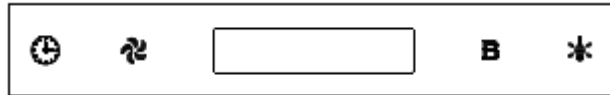
Touch control 1

LCD display







1. Fan symbol, will turn when the fan is working
2. Time display
3. Timer
4. Light
5. Fan speed
6. Alarm symbol
7. Cleaning symbol, appear when total working time up to 14 hours.




Touch control 2 (Booster Model)




After plug in power supply, it will go into Stand-By mode automatically.

Timer button

To set time, keep pressing it while on stand-by mode until the hour display starts to flash. Now press " "or" **B** " to set the hour. Once confirmed, press " " to change to minute setting. Now press " "or" **B** " to set the minute. Once confirmed, press " " again to go back to stand-by mode.

To set auto-stop timer, short press " " during working mode. Default time is 15 mins. Press " " again to change to auto-stop after 30mins, 45mins, 60mins and off. During the auto-stop mode, auto-stop time can be changed by pressing " "or" **B** ". Short press for adjusting 1 min and long press for continuous minute change.

Quick timer: When in working mode, press and hold  and **B** for 1 second. Digital display will flash & enters into 5 minutes count down. After 5 minutes, the motor & light will turn off automatic & there will be a buzzer sound.

Fan Speed button

For changing the speed of the fan during working mode.

B **Booster button**

During working mode, short press for speed 4. It will go back to the speed 3 after 5 minutes.

Light button

Short Press to turn on and off lights.

Long press

1. For turning off the "Cleaning symbol" & reset total working time when "Cleaning symbol" is displayed during working mode.
2. For checking current total working time when "Cleaning symbol" is off.

MAINTENANCE

Before cleaning, switch off the unit and pull out the plug.

I. Regular Cleaning

Use a soft cloth moistened with hand-warm mildly soapy water or household cleaning detergent. Never use metal pads, chemical, abrasive material or stiff brush to clean the unit.

II. Monthly Cleaning for Grease Filter

ESSENTIAL: Cleaning the filter every month can prevent any risk of fire.

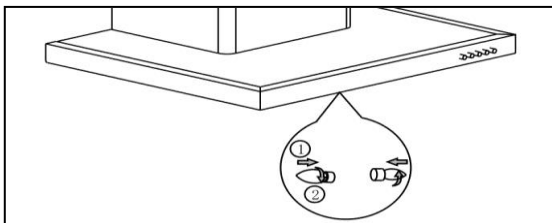
The filter collects grease, smoke and dust, so the filter is directly affecting the efficiency of the cooker hood. If it is not cleaned, the grease residue (potentially flammable) will saturate on the filter. Clean it with household cleaning detergent.

III. Annual Cleaning for Activated Carbon Filter

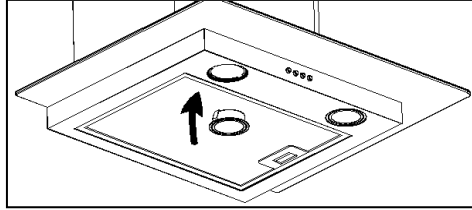
Apply SOLELY to unit that are installed as a recirculation unit (not vented to the outside). This filter traps odours and must be replaced at least once a year depending on how frequent the cooker hood is used.

IV. Bulb Replacement

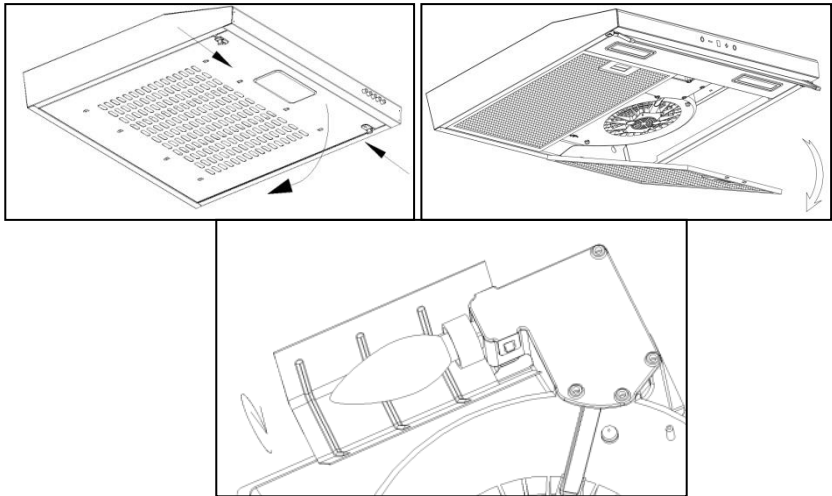
1. Switch the unit off and unplug the appliance.
 2. Remove the lamp cover by unscrewing the 2 screws.
 3. Unscrew the incandescent bulb.
 4. Replace with the same type and rated bulb/lamp.
- E14 Incandescent Bulb: (220V E14 Max 40W).



- Halogen lamp (max, 20W) & LED lamp (max, 1.5W).



- For Slim model.



TROUBLESHOOTING

Fault	Cause	Solution
Light on, but fan does not work	The fan blade is jammed.	Switch off the unit and repair by qualified service personnel only.
	The motor is damaged.	
Both light and fan do not work	light bulb burn.	Replace the bulb with correct rating.
	Power cord loose	Plug in to the power supply again.
Serious Vibration of the unit	The fan blade is damaged.	Switch off the unit and repair by qualified service personnel only.
	The fan motor is not fixed tightly.	Switch off the unit and repair by qualified service personnel only.
	The unit is not hung properly on the bracket.	Take down the unit and check whether the bracket is in proper
Suction performance	Distance between the unit and the cooking	Readjust the distance to 65-75cm

ENVIRONMENTAL PROTECTION

Waste electrical products should not be disposed of with household waste. Please recycle where facilities exist. Check with your Local Authority or retailer for recycling advice.



This appliance is marked according to the European directive 2012/19/EC on Waste Electrical and Electronic Equipment (WEEE).

By ensuring this product is disposed of correctly, you will help prevent potential negative consequences for the environment and human health, which could otherwise be caused by inappropriate waste handling of this product.

The symbol on the product indicates that this product may not be treated as household waste. Instead it shall be handed over to the applicable collection point for the recycling of electrical and electronic equipment

Disposal must be carried out in accordance with local environmental regulations for waste disposal.

For more detailed information about treatment, recovery and recycling of this product, please contact your local city office, your household waste disposal service or the shop where you purchased the product