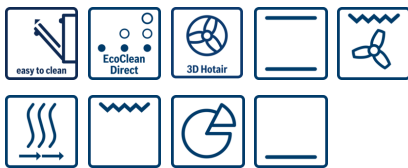


**Serie | 2, Built-in oven, Stainless steel  
HBF134BS0K**

**Included accessories**

1 x enamel baking tray  
1 x combination grid  
1 x universal pan

**Optional accessories**

HEZ327000 : Pizza stone

**The built-in oven with 3D hot air: achieve perfect baking and roasting results on up to three levels simultaneously.**

- **3D Hot Air** : Even heat distribution across 3 levels ensure well-cooked food - without having to flip your meal.
- **pop-out controls**: for an easy to clean front.
- **EcoClean Direct**: almost no cleaning is necessary thanks to a special coating of the rear wall that automatically absorbs grime.

**Technical Data**

Color / Material Front :	Stainless steel
Built-in / Free-standing :	Built-in
Integrated Cleaning system :	No
Required niche size for installation (HxWxD) :	575-597 x 560-568 x 550
Dimensions of the product (mm) :	595 x 594 x 548
Dimensions of the packed product (HxWxD) (mm) :	660 x 680 x 650
Control Panel Material :	Stainless steel
Door Material :	Glass
Net weight (kg) :	33.727
Usable volume of cavity (l) :	66
Cooking method :	Bottom heat, Conventional heat,
Full width variable grill, Hot Air, Hot air grilling, Pizza setting	
First cavity material :	Other
Number of interior lights :	1
Approval certificates :	CE, VDE
Length electrical supply cord (cm) :	200
Interior Lights - cavity 1 :	1
Pull-out system :	Accessory
Clock function :	Alarm, Off, On
Included accessories :	
1 x enamel baking tray, 1 x combination grid, 1 x universal pan	
Broil Element Wattages cavity 1 (W) :	2800
Energy efficiency class (2010/30/EC) :	A
Energy consumption per cycle conventional (2010/30/EC) :	0.98
Energy consumption per cycle forced air convection (2010/30/EC) :	0.79
Energy efficiency index (2010/30/EC) :	95.2
Connection Rating (W) :	2950
Current (A) :	13
Voltage (V) :	220-240
Frequency (Hz) :	60; 50
Plug type :	GB plug
Color / Material Front :	Stainless steel
Energy input :	Electric
Approval certificates :	CE, VDE
Required cutout/niche size for installation (in) :	x x
Dimensions of the packed product (in) :	25.98 x 25.59 x 26.77
Net weight (lbs) :	74.000
Gross weight (lbs) :	79
Length electrical supply cord (cm) :	200
Net weight (kg) :	33.727
Gross weight (kg) :	35.8



## Serie | 2, Built-in oven, Stainless steel HBF134BS0K

**The built-in oven with 3D hot air: achieve perfect baking and roasting results on up to three levels simultaneously.**

---

### Heating Modes

- Oven with 7 heating modes:
  - Hot air grilling
  - Full width variable grill
  - Bottom heat
  - Conventional heat
  - 3D Hot air
  - Hotair gentle
  - Pizza setting

### Design

- Rotary control dials, Round, Retractable knobs

### Bottom oven door

- Straight Bar handle
- Cavity inner surface: Enamel grey
- Halogen interior lighting

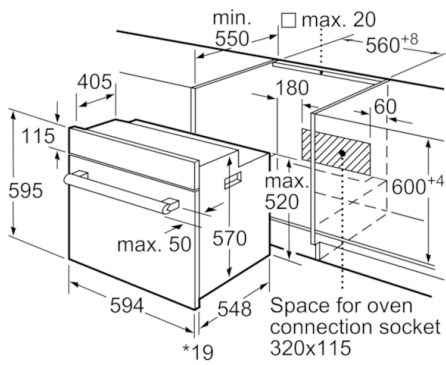
### Comfort

- Cavity volume: 66 L
- Maximum window temperature 50° C
- Temperature range 50 °C - 275 °C
- childproof lock
- electronic clock
- automatic start

### Technical Information

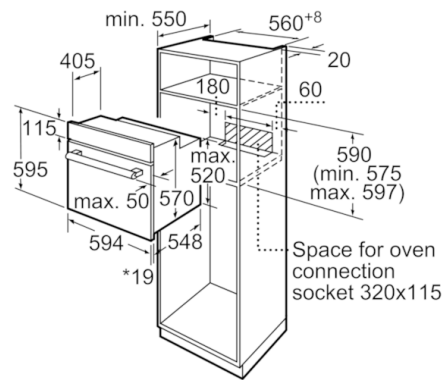
- Dimensions of the product (HxWxD mm) : 595 x 594 x 548
- Required niche size for installation (HxWxD mm) : 575-597 x 560-568 x 550
- Electrical connection rating: 2,950 W
- Length of main cable: 200 cm
- Plug type\_old: GB plug

**Serie | 2, Built-in oven, Stainless steel**  
**HBF134BS0K**



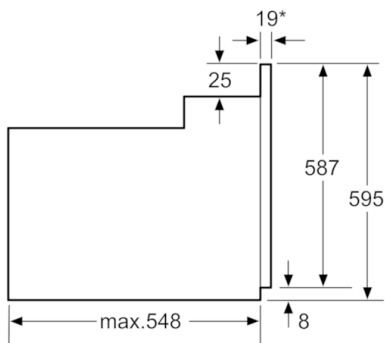
\* 20 mm for metal fascias

measurements in mm



\* 20 mm for metal fascias

measurements in mm



\* 20 mm for metal fascias

Dimensions in mm