

EN

English, 13

FR

Français, 19

ES

Español, 25

PT

Português, 31

AR

عربية, 37

# Instructions for use

## Mode d'emploi

## Instrucciones de uso

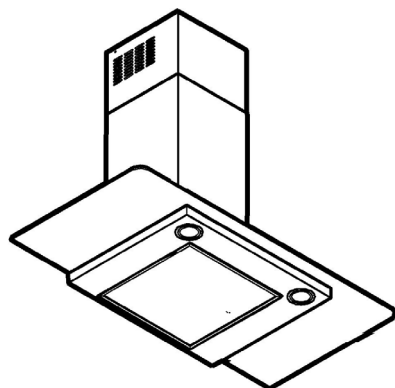
## Instruções de uso

## طرق الاستعمال

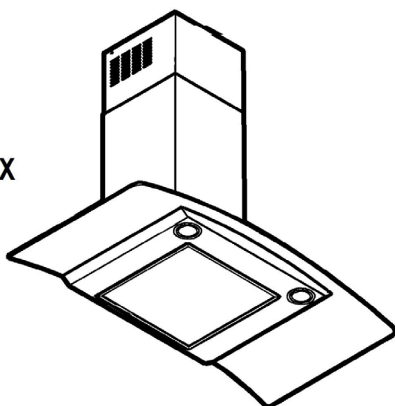
AHGC 9.7F AB X  
AHBS 6.7F AL X  
AHBS 9.4F AM X  
AHBS 9.7F AL X  
AHF 9.4F AM X  
AHF 6.4F AM X  
AHBS 9.7F LTI X  
AHC 9.7F ATI X  
AHC 9.7F AB X

---

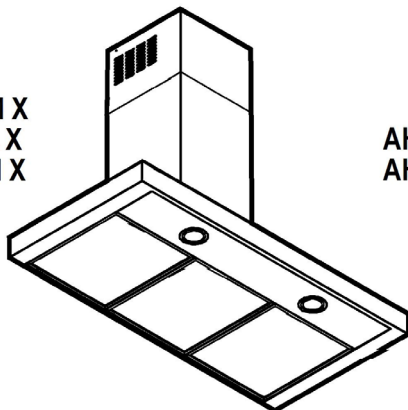
AHF 9.4F AM X  
AHF 6.4F AM X



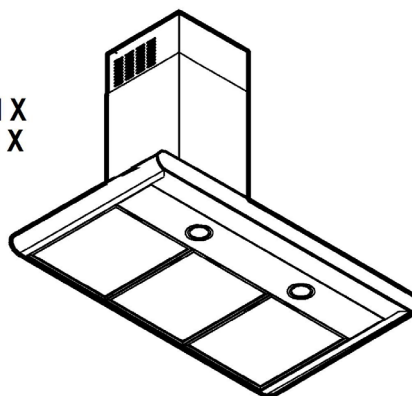
AHGC 9.7F AB X



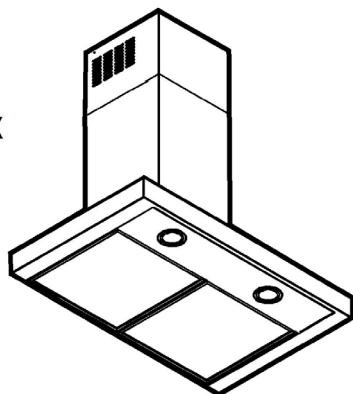
AHBS 9.4F AM X  
AHBS 9.7F AL X  
AHBS 9.7F LTI X

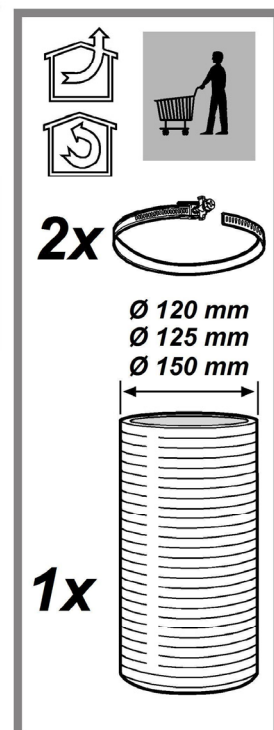
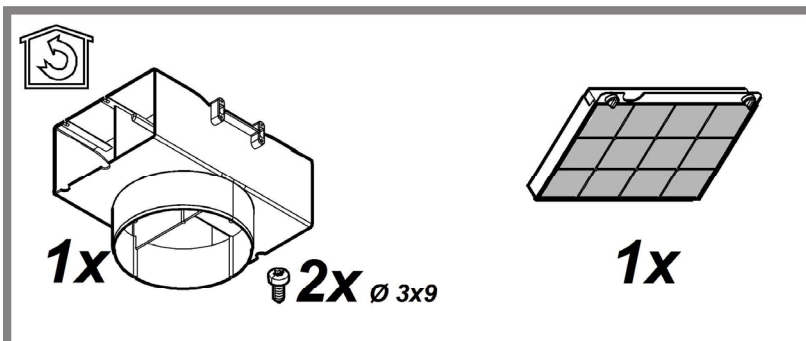
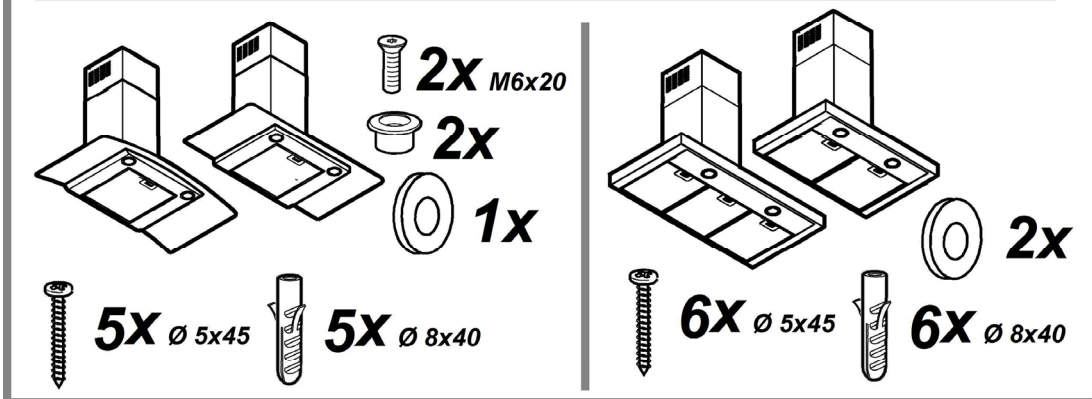
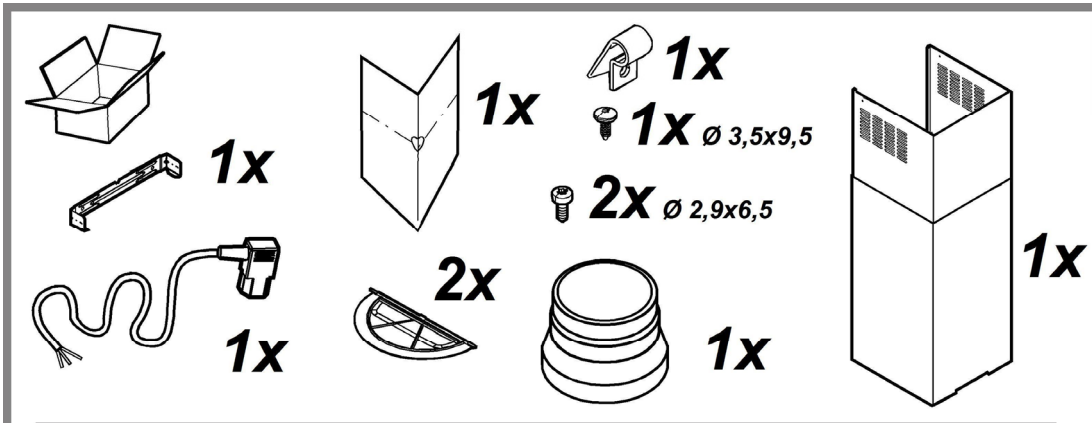


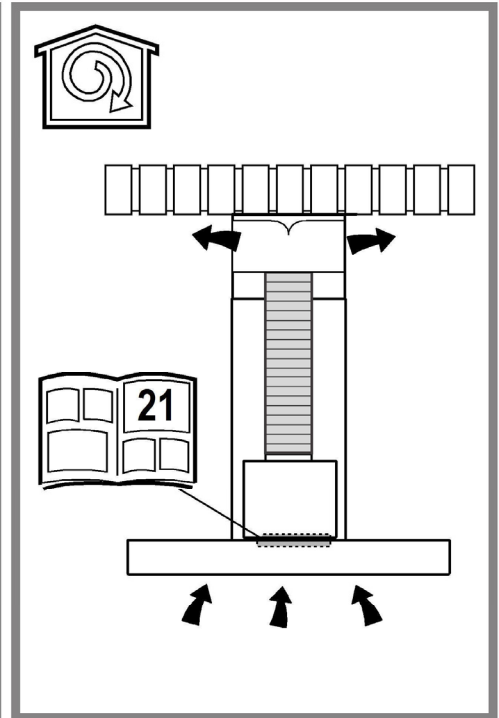
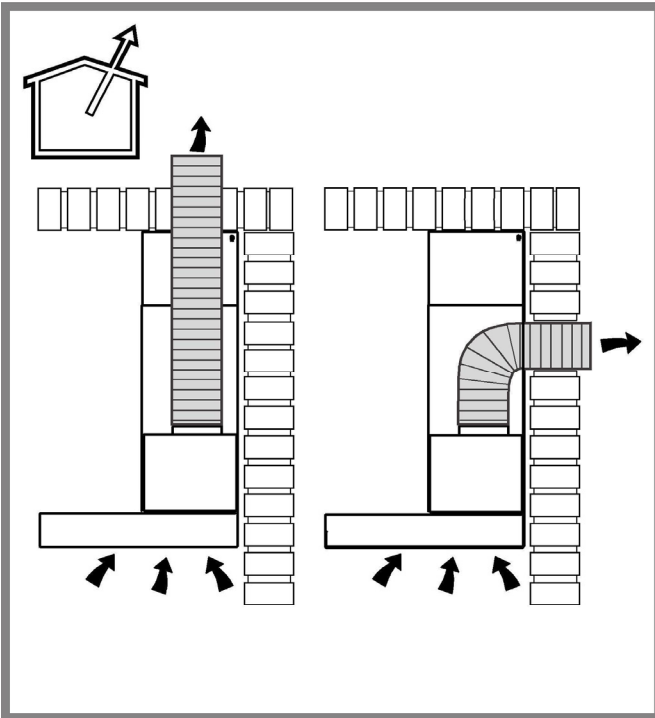
AHC 9.7F ATI X  
AHC 9.7F AB X



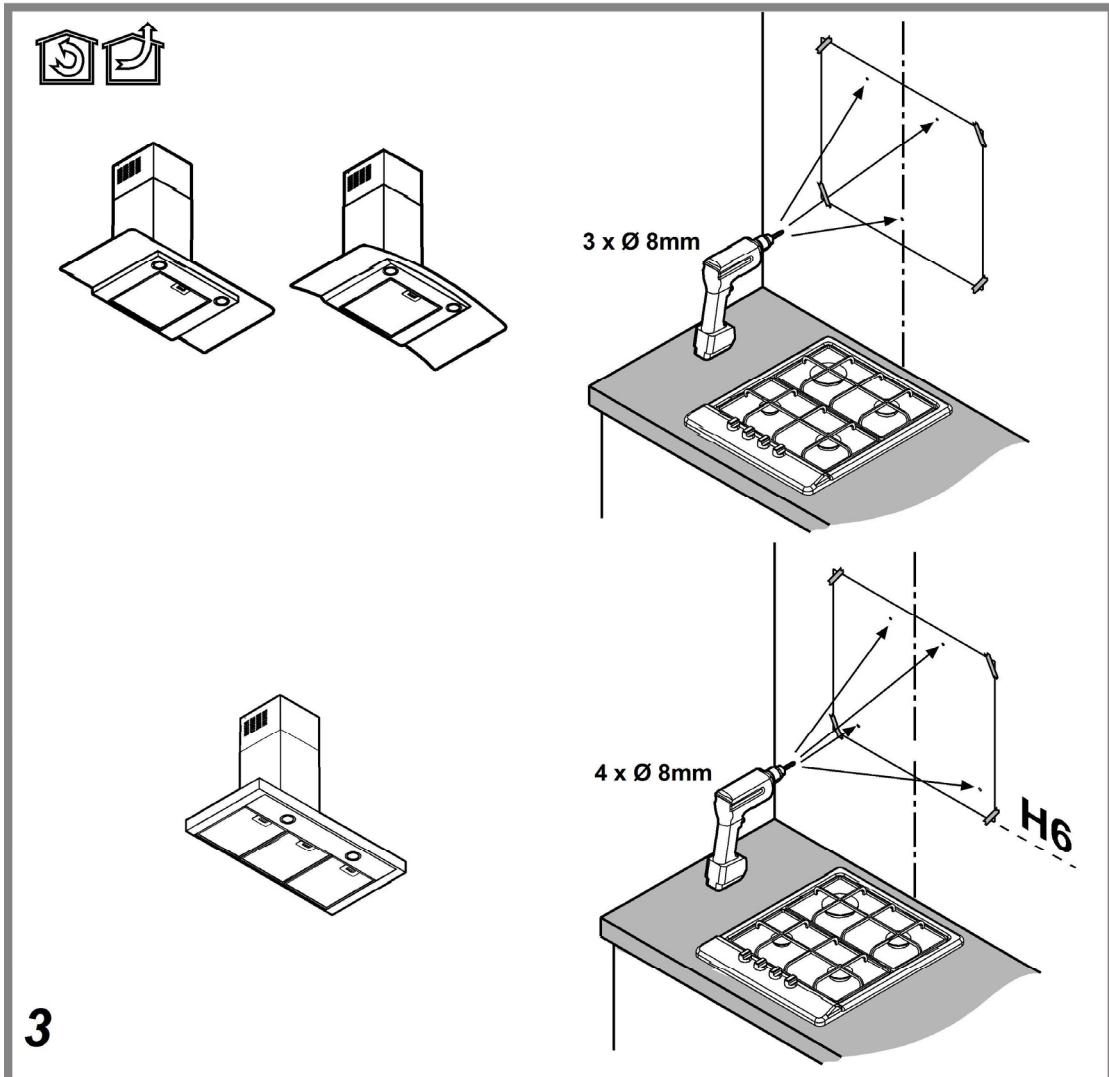
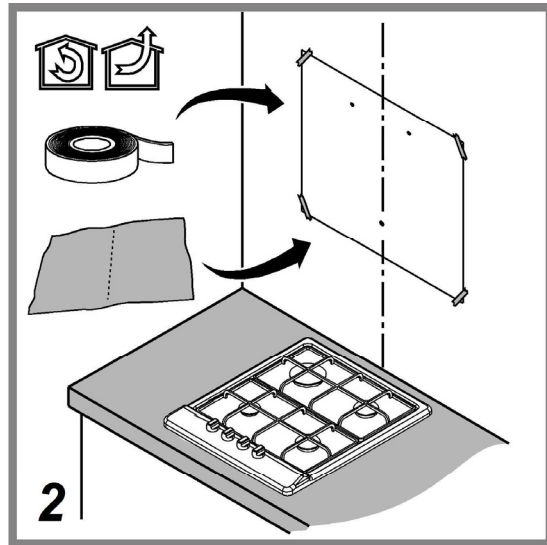
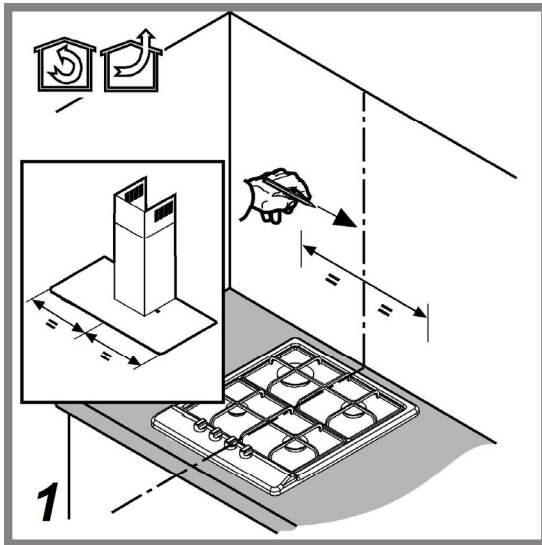
AHBS 6.7F AL X

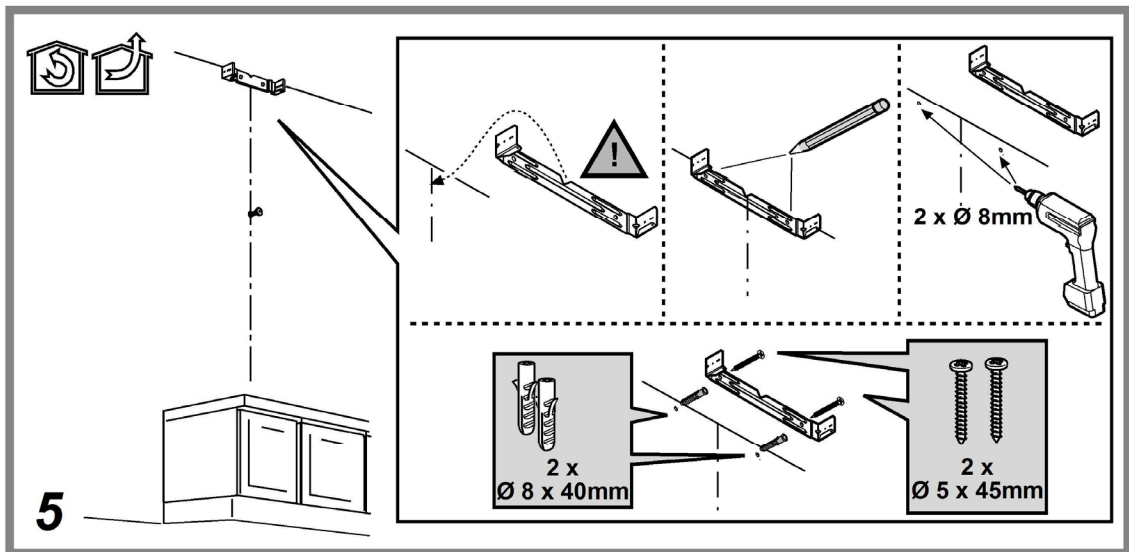
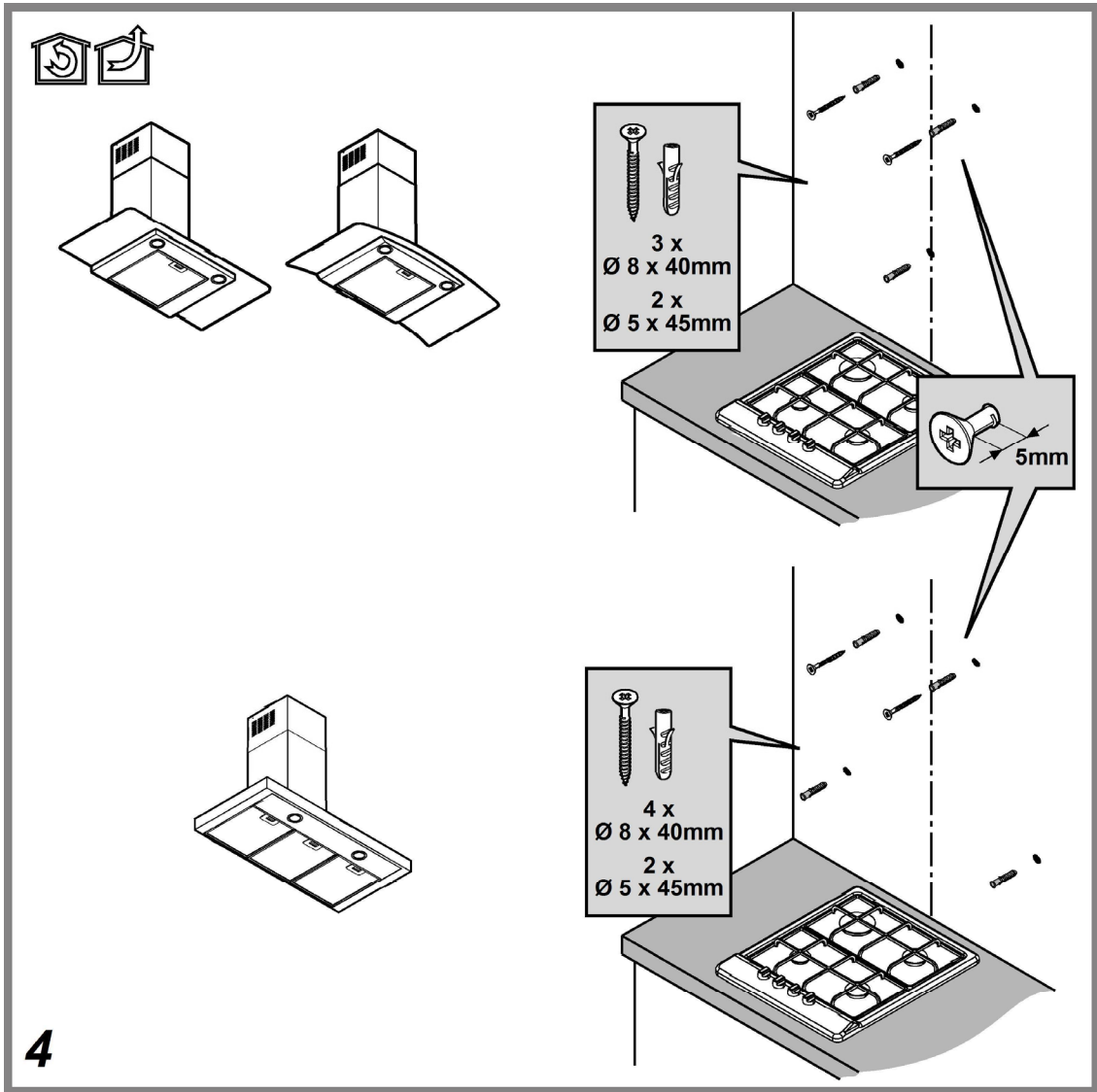


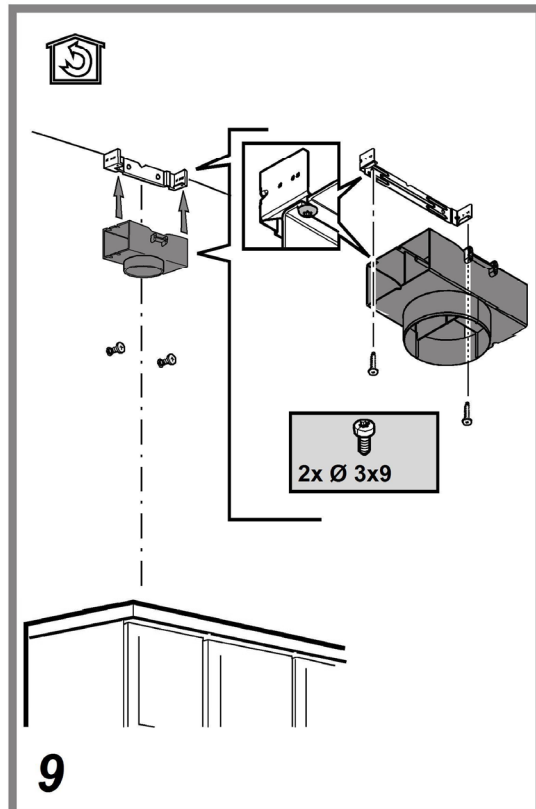
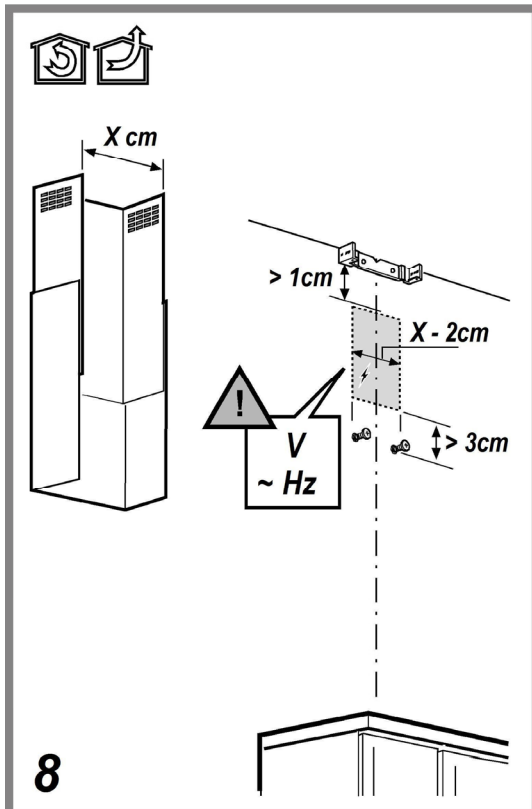
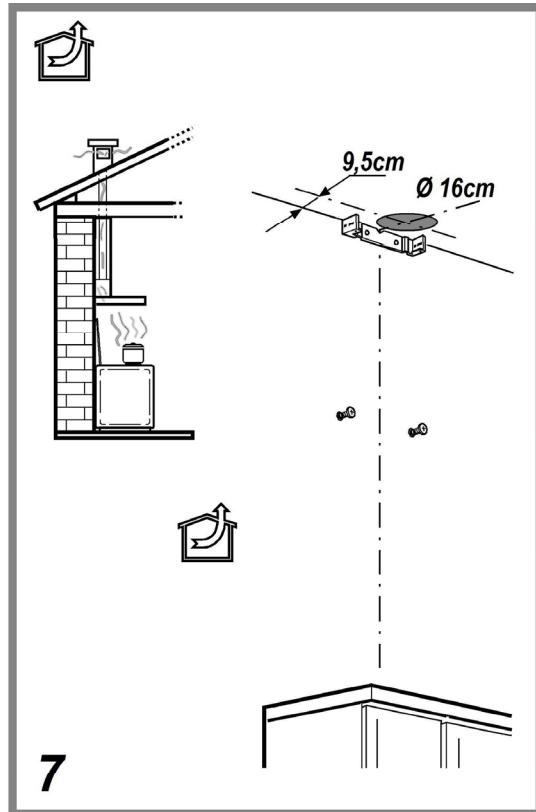
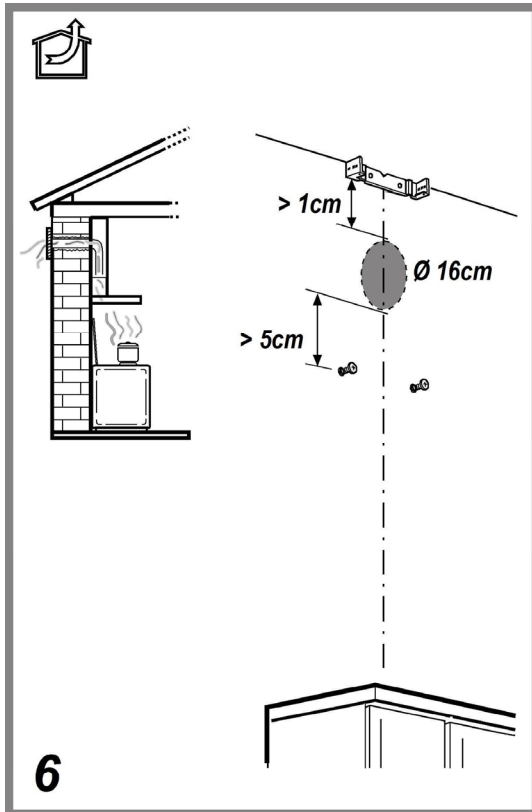


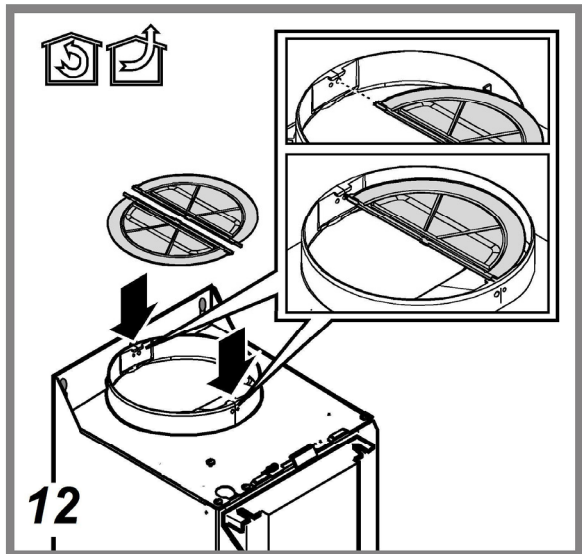
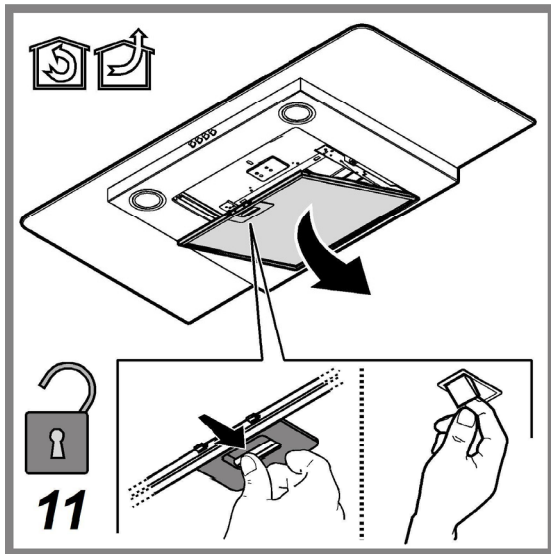
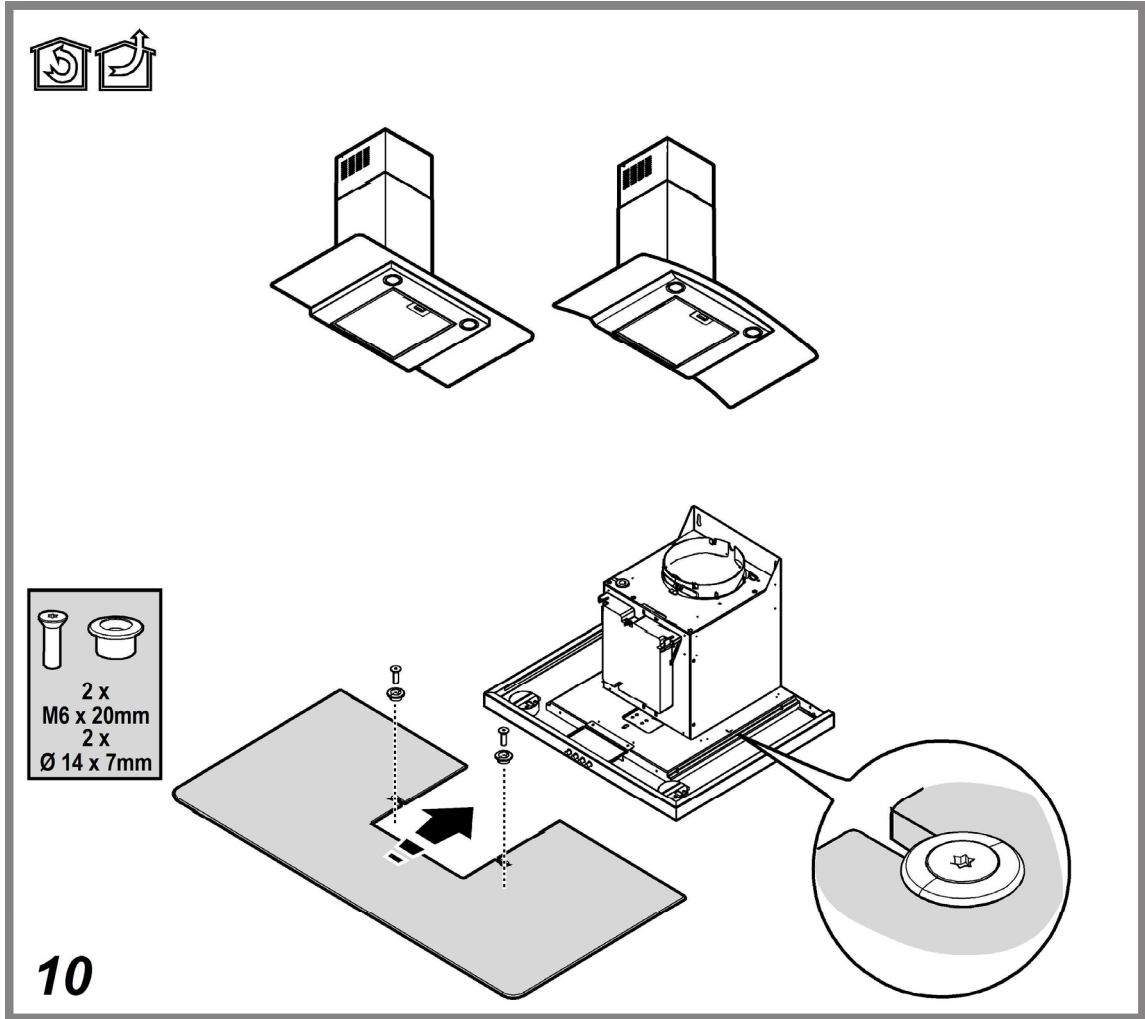


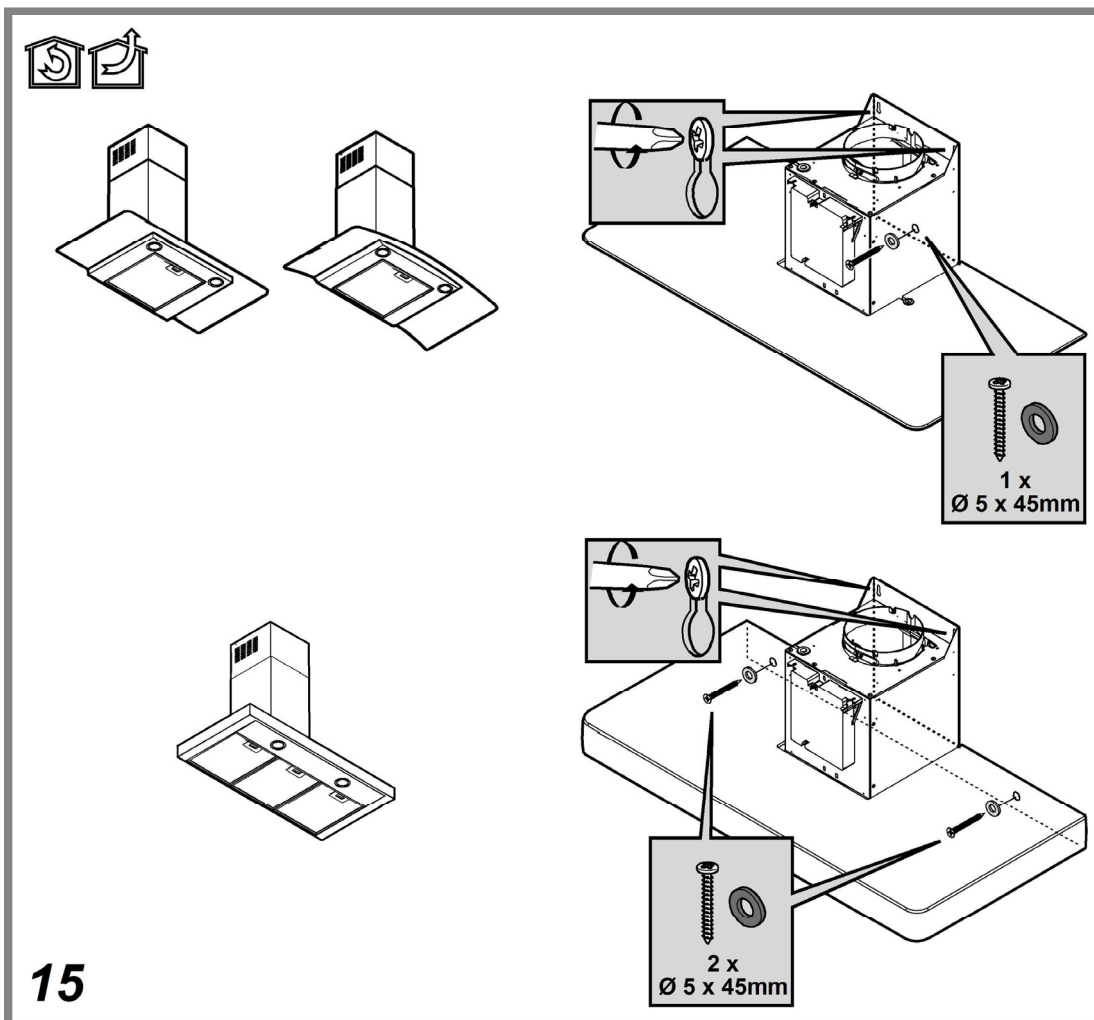
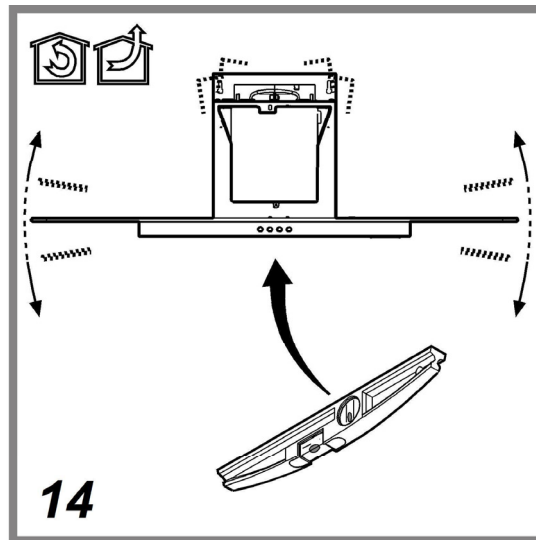
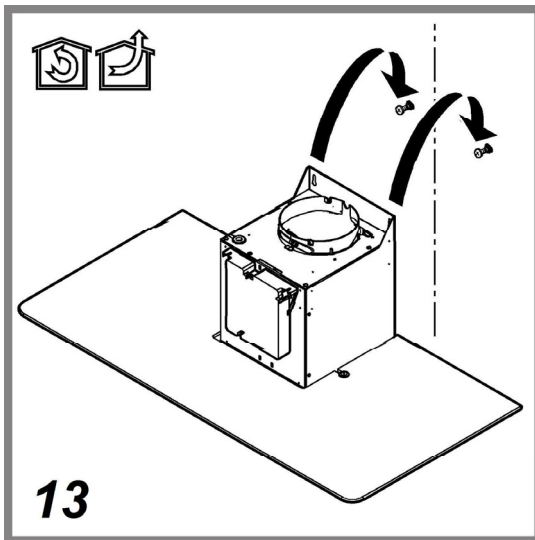


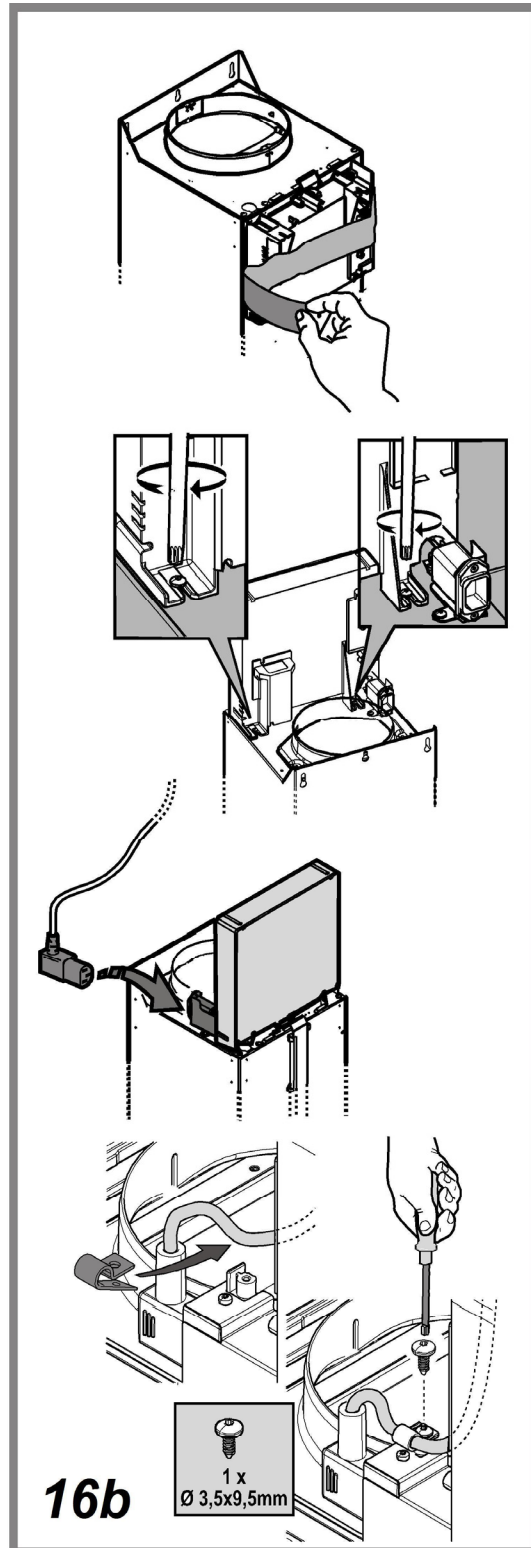
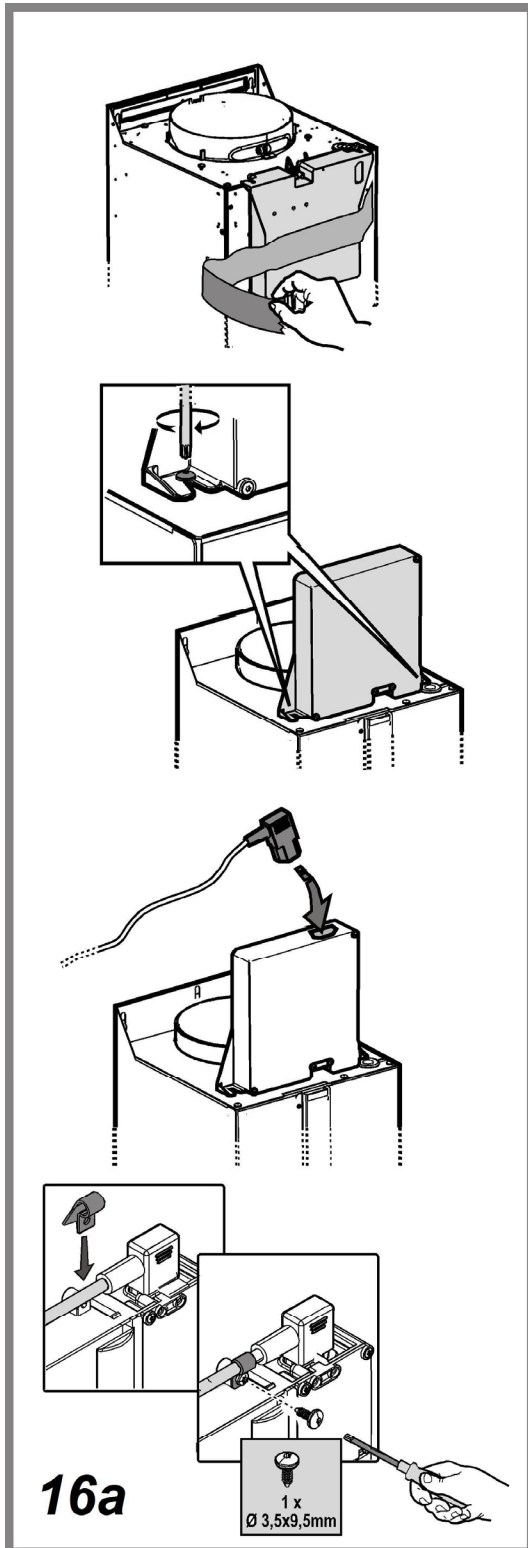


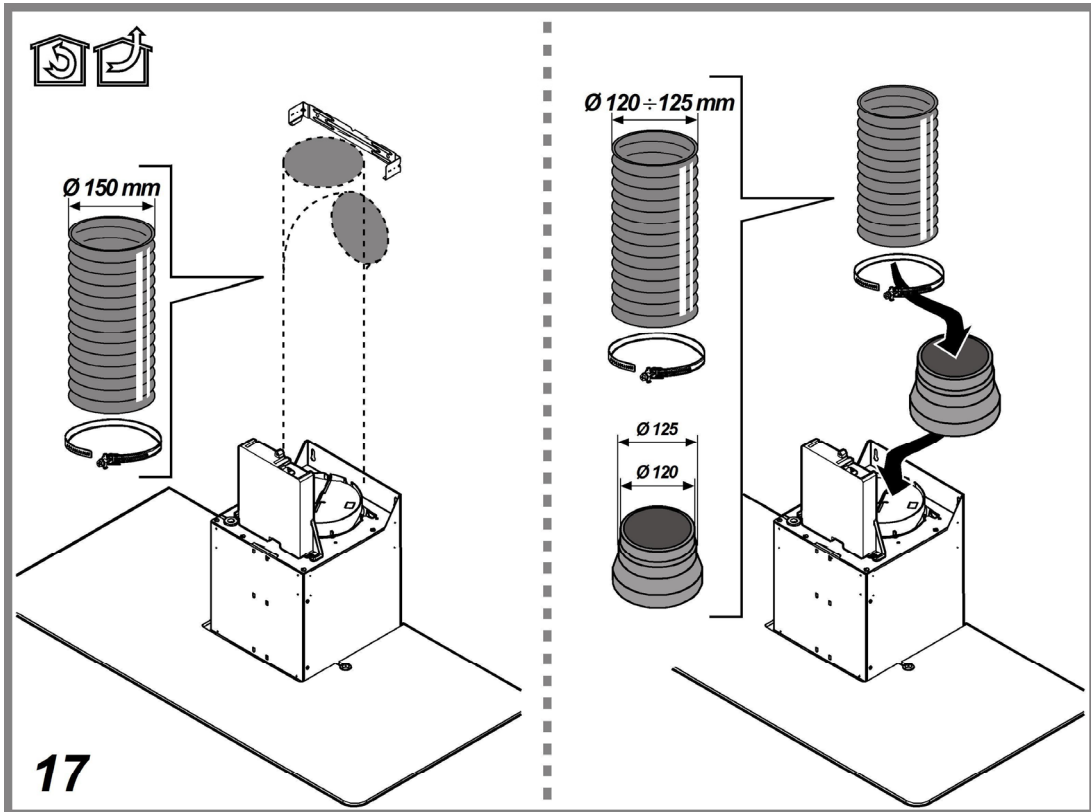




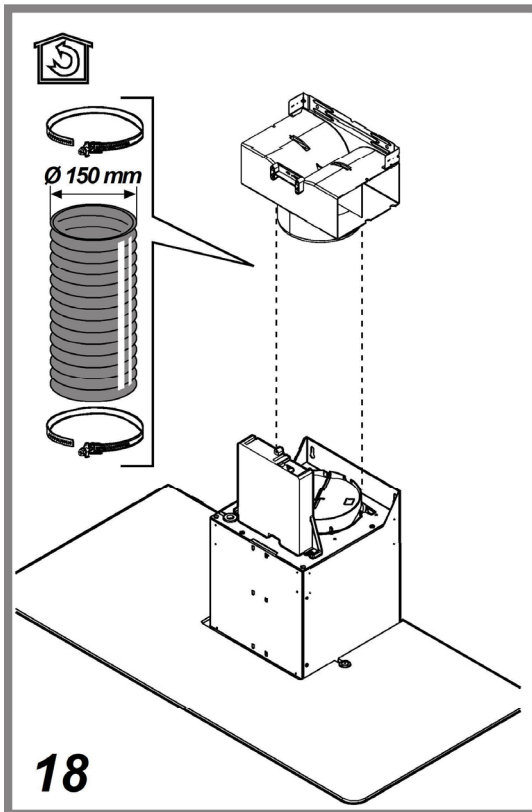




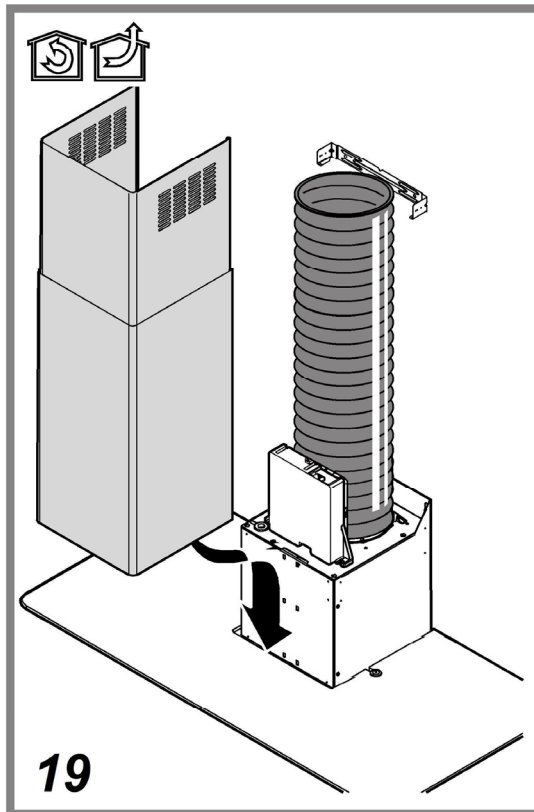




17

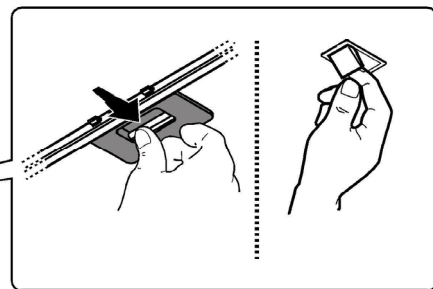
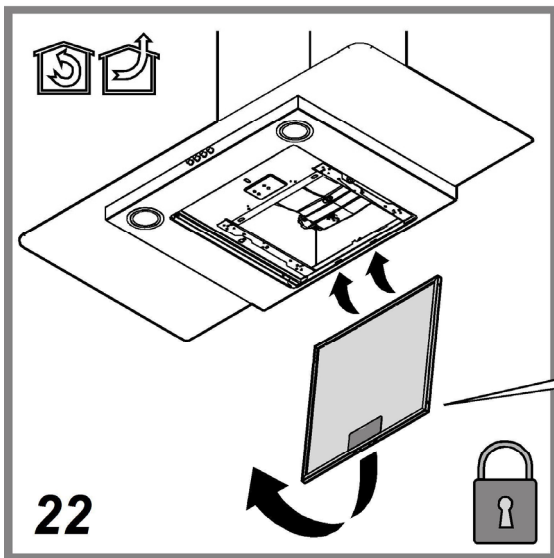
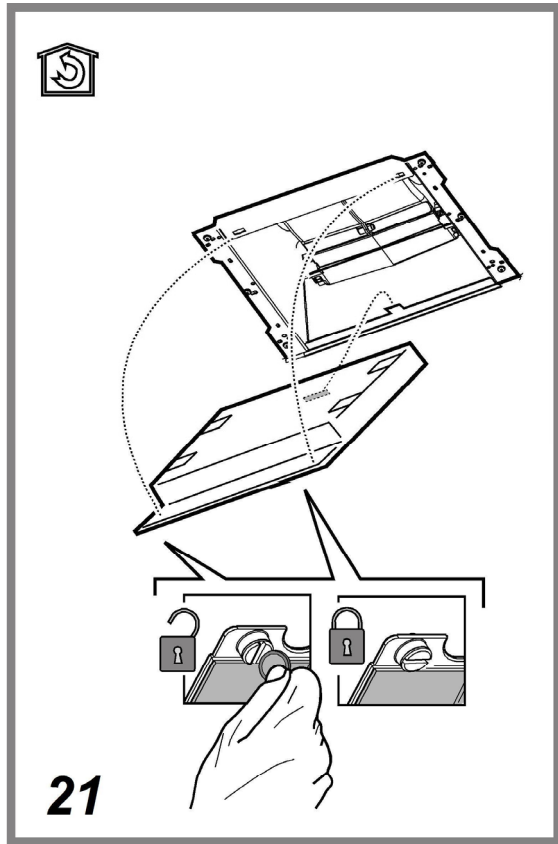
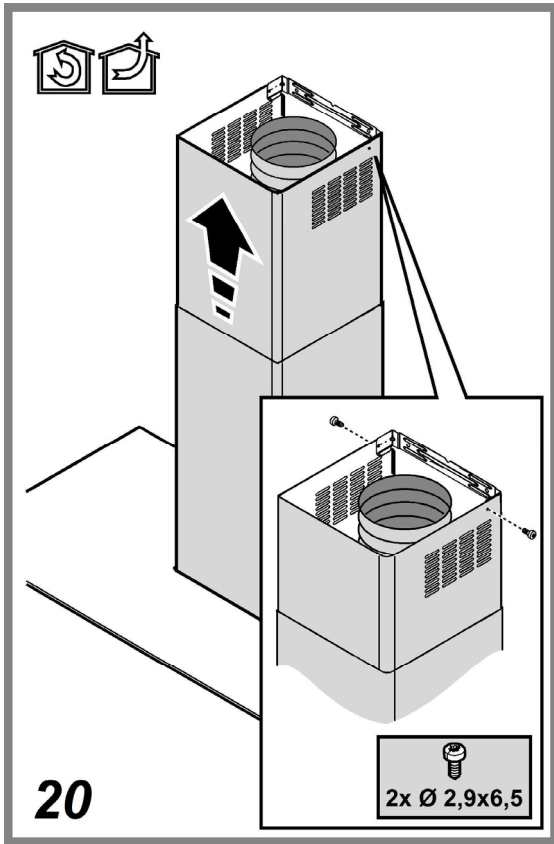


18



19







## **GENERAL SAFETY**

Before any cleaning or maintenance operation, disconnect hood from the mains by removing the plug or disconnecting the mains electrical supply.

Always wear work gloves for all installation and maintenance operations.

This appliance can be used by children aged from 8 years and above and persons with reduced physical, sensory or mental capabilities or lack of experience and knowledge if they have been given supervision or instruction concerning use of the appliance in a safe way and understand the hazards involved.

Children shall not be allowed to tamper with the controls or play with the appliance.

Cleaning and user maintenance shall not be made by children without supervision.

The premises where the appliance is installed must be sufficiently ventilated, when the kitchen hood is used together with other gas combustion devices or other fuels.

The hood must be regularly cleaned on both the inside and outside (AT LEAST ONCE A MONTH).

This must be completed in accordance with the maintenance instructions provided. Failure to follow the instructions provided regarding the cleaning of the hood and filters will lead to the risk of fires.

### **Do not flambé under the range hood.**

The use of exposed flames is detrimental to the filters and may cause a fire risk, and must therefore be avoided in all circumstances.

Any frying must be done with care in order to make sure that the oil does not overheat and ignite.

**CAUTION:** Accessible parts of the hood may become hot when used with cooking appliances.

For lamp replacement use only lamp type indicated in the Maintenance/Replacing lamps section of this manual.

**WARNING!** Do not connect the appliance to the mains until the installation is fully complete.

With regards to the technical and safety measures to be adopted for fume discharging it is important to closely follow the regulations provided by the local authorities.

The air must not be discharged into a flue that is used for exhausting fumes from appliance burning gas or other fuels.

Do not use or leave the hood without the lamp correctly mounted due to the possible risk of electric shocks.

Never use the hood without effectively mounted grids.

The hood must NEVER be used as a support surface unless specifically indicated.

Use only the fixing screws supplied with the product for installation or, if not supplied, purchase the correct screws type.

Use the correct length for the screws which are identified in the Installation Guide.

In case of doubt, consult an authorised service assistance centre or similar qualified person.

**WARNING!** Failure to install the screws or fixing device in accordance with these instructions may result in electrical hazards.

Do not use with a programmer, timer, separate remote control system or any other device that switches on automatically.

The hood can look different to that illustrated in the drawings in this booklet. The instructions for use, maintenance and installation, however, remain the same.

**Closely follow the instructions set out in this manual.** All responsibility, for any eventual inconveniences, damages or fires caused by not complying with the instructions in this manual, is declined. This appliance is intended to be used in household and similar application such as: - staff kitchen areas in shop, offices and other working environments; - farm houses; - by clients in hotels, motels and other residential type environments; - bed and breakfast type environments.

- ! It is important to conserve this booklet for consultation at any moment. In the case of sale, cession or move, make sure it is together with the product.
- ! Read the instructions carefully: there is important information about installation, use and safety.
- ! Do not carry out electrical or mechanical variations on the product or on the discharge conduits.
- ! Before proceeding with the installation of the appliance verify that there are no damaged all components. Otherwise contact your dealer and do not proceed with the installation.

The minimum distance between the supporting surface for the cooking equipment on the hob and the lowest part of the range hood must be not less than 50cm from electric cookers and 65cm from gas or mixed cookers.

If the instructions for installation for the gas hob specify a greater distance, this must be adhered to.

---

## ELECTRICAL CONNECTION

The mains power supply must correspond to the rating indicated on the plate situated inside the hood. If provided with a plug connect the hood to a socket in compliance with current regulations and positioned in an accessible area, after installation. If it not fitted with a plug (direct mains connection) or if the plug is not located in an accessible area, after installation, apply a double pole switch in accordance with standards which assures the complete disconnection of the mains under conditions relating to over-current category III, in accordance with installation instructions.

**Warning!** Before re-connecting the hood circuit to the mains supply and checking the efficient function, always check that the mains cable is correctly assembled.

### Replacing the power cable

The hood is provided with a special power cable ; if the cable is damaged, request a new one from Technical Service.

## AIR VENT

(for the suction versions)

Connect the hood and discharge holes on the walls with a diameter equivalent to the air outlet (connection flange).

Using the tubes and discharge holes on walls with smaller dimensions will cause a diminution of the suction performance and a drastic increase in noise.

Any responsibility in the matter is therefore declined.

- ! Use a duct of the minimum indispensable length.
- ! Use a duct with as few elbows as possible (maximum elbow angle: 90°).
- ! Avoid drastic changes in the duct cross-section.
- ! The company declines any responsibility whenever these regulations are not respected.

## FILTERING OR DUCTING ?

- ! Your cooker hood is ready to be used in suction version.  
To use the hood in filtering version the special ACCESSORY KIT must be installed.  
Check on the first pages of this manual if the ACCESSORY KIT is furnished or must be bought separately.  
**Note:** If furnished, in certain cases, the additional activated carbon filtering system may be installed on the hood.  
Information about the conversion of the hood from suction version to filtering version is present in this manual.



### Ducting version

In this case the fumes are conveyed outside of the building by means of a special pipe connected with the connection ring located on top of the hood.

**Attention!** The exhausting pipe is not supplied and must be purchased apart. Diameter of the exhausting pipe must be equal to that of the connection ring. Attention! If the hood is supplied with active charcoal filter, then it must be removed.



### Filter version

The aspirated air will be degreased and deodorised before being fed back into the room.

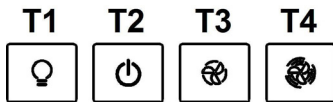
In order to use the hood in this version, you have to install a system of additional filtering based on activated charcoal.

## CONTROLS

The hood is fitted with a control panel with aspiration speed selection control and a light switch to control cooking area lights.

### Models with mechanical control panel

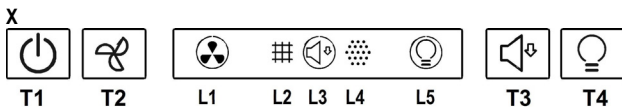
AHBS 9.4F AM X - AHF 9.4F AM X - AHF 6.4F AM X



- T1. ON/OFF light switch
- T2. Speed 1/OFF switch
- T3. 2-speed selection
- T4. 3-speed selection

### Models with Soft Button panel + LCD Display

AHBS 6.7F AL X - AHBS 9.7F AL



- T1. Button ON/OFF suction motor
- T2. Selection button for medium, high and intensive operating suction speed (power).  
**Note:** Intensive suction speed (power) intensiva (LED L1 flashing) lasts for approximately 5 minutes, then the medium suction speed (power) is automatically set.
- T3. Selection button for 'silent' suction speed (power)
- T4. Button ON/OFF lighting
- L1. Status icon suction speeds (powers)
- L2. Status icon saturation indicator for grease filter
- L3. Status icon low (silent) suction speed (power)
- L4. Status icon saturation indicator charcoal filter
- L5. Status icon lighting

#### Reset filter saturation indicator

After performing maintenance of the filter, press and hold button T3, the icon indicating saturation will switch off. Repeat the operation if both icons indicating saturation (grease and charcoal) are on.

#### Activation of the icon for charcoal filter saturation

The icon for charcoal filter saturation is normally disabled. To activate it, proceed as follows:

With the hood off, press and hold for a long time and simultaneously T1 and T3: L4 flashes at first then it switches on with steady light to indicate successful activation.

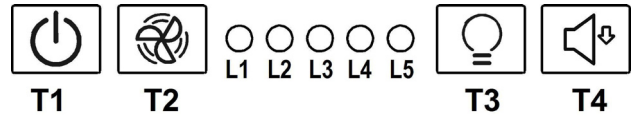
**Disabling the icon for charcoal filter saturation:** repeat the above operation, L4 switches on with steady light then flashes and in the end switches off to indicate successful disabling.

#### Automatic operation at high temperature

The hood is fitted with a sensor that detects the temperature. When this becomes too high, the sensor automatically activates the medium suction speed (power). The hood switches off when the temperature detected by the sensor has lowered significantly.

### Models with Soft Button panel + Silent Speed

AHGC 9.7F AB X - AHC 9.7F AB X



- T1. Button ON/OFF suction motor
- T2. Selection button operating suction speed (power)  
**Note:** The intensive suction speed (power) (LED L3 flashing) lasts for approximately 5 minutes, then the medium suction speed (power) is automatically set (LED L2 on)
- T3. Button ON/OFF lighting
- T4. Selection button 'silent' suction speed (power)
- L1. LED medium suction speed (power)
- L2. LED high suction speed (power)
- L3. LED intensive suction speed (power) - timed (5 min.).
- L4. LED filter saturation:  
**flashing:** carry out maintenance of the charcoal filter;  
**on:** carry out maintenance of grease filters.
- L5. LED low (silent) suction speed (power)

**L1+L2+L3 flashing in sequence:** automatic operation at high temperature (see related section)

#### Reset filter saturation

After carrying out filter maintenance, press and hold button T1, LED L4 switches off.

#### Activation of the LED for charcoal filter saturation

The LED for charcoal filter saturation is normally disabled. To activate it, proceed as follows:

With the hood off, press and hold for a long time and simultaneously T1 and T4: L1 flashes first then L2 as well, to indicate successful activation.

**Disabling the LED for charcoal filter saturation:** repeat the above operation, L1 and L2 start flashing first, then only L1, to indicate successful disabling.

#### Automatic operation at high temperature

The hood is fitted with a sensor that detects the temperature. When this becomes too high, the sensor automatically activates the medium suction speed (power). The hood switches off when the temperature detected by the sensor has lowered significantly.

---

Model with SOFT-TOUCH control panel

AHBS 9.7F LTI X - AHC 9.7F ATI X



To select hood functions, simply touch the controls:

**T1. Button ON/OFF suction motor**

**T2. Button to select medium suction speed (power)**

**T3. Button to select high and intensive suction speed (power)**

Press once to select high suction speed (power) (LED L3 on);

Press again to select intensive suction speed (power) (LED L3 flashing).

**Note:** The intensive suction (power) speed lasts for approximately 5 minutes, then the high suction speed (power) is set automatically.

**T4. Automatic shutdown button (Timer) and saturation indicator for charcoal filter:**

**Automatic shutdown:**

Press this button to set the automatic shutdown of the active suction speed (power):

Silent suction speed (power): **10 minutes**

Medium suction speed (power): **20 minutes**

High suction speed (power): **15 minutes**

**Saturation indicator charcoal filter**

When flashing, perform maintenance of the **charcoal filter**, if installed, then keep the button **T6** pressed for a long time to stop the flashing.

**T5. Button to select 'silent' suction speed (power) and saturation indicator for grease filter**

**Note: when flashing**, perform maintenance of the **grease filter**; then keep the button **T6** pressed for a long time to stop the flashing.

**T6. Button ON/OFF lighting**

**T3+T4+T5 flashing:** automatic operation under high temperature conditions (see relevant paragraph)

**Activation of the charcoal filter saturation indicator**

This indicator is normally deactivated. To activate it, proceed as follows:

With the hood off, press and keep pressed simultaneously **T4** and **T5**: **T5** starts flashing first, then **T4** as well, to indicate successful activation.

**Deactivation of charcoal filter saturation LED:** repeat the operation described above; **T5** and **T4** start flashing, then only **T5** to indicate successful deactivation.

**Automatic operation under high temperature conditions**

The hood is equipped with a sensor which detects the temperature. When this becomes too high, the sensor automatically turns on the medium suction speed (power). The hood turns off as soon as the temperature detected by the sensor is lowered significantly.

## MAINTENANCE

### Cleaning

Clean using **ONLY** the cloth dampened with neutral liquid detergent. **DO NOT CLEAN WITH TOOLS OR INSTRUMENTS.** Do not use abrasive products. **DO NOT USE ALCOHOL!**

### Perimeter aspiration panel

Clean the perimeter aspiration panel with the same frequency as the ant-fats filter, using a cloth and not too concentrated liquid detergent. Do not use abrasive substances.

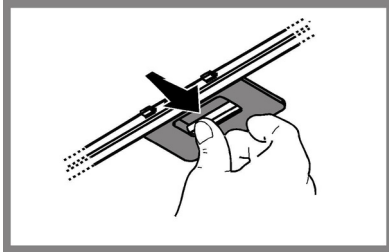
### Maintenance of the anti-grease filters

#### Traps cooking grease particles.

This must be cleaned once a month (or when the filter saturation indication system – if envisaged on the model in possession – indicates this necessity) using non aggressive detergents, either by hand or in the dishwasher, which must be set to a low temperature and a short cycle.

When washed in a dishwasher, the grease filter may discolour slightly, but this does not affect its filtering capacity.

To remove the grease filter, pull the spring release handle.



### Maintenance of the charcoal filter

#### It absorbs unpleasant odours caused by cooking.

The saturation of the charcoal filter occurs after more or less prolonged use, depending on the type of cooking and the regularity of cleaning of the grease filter.

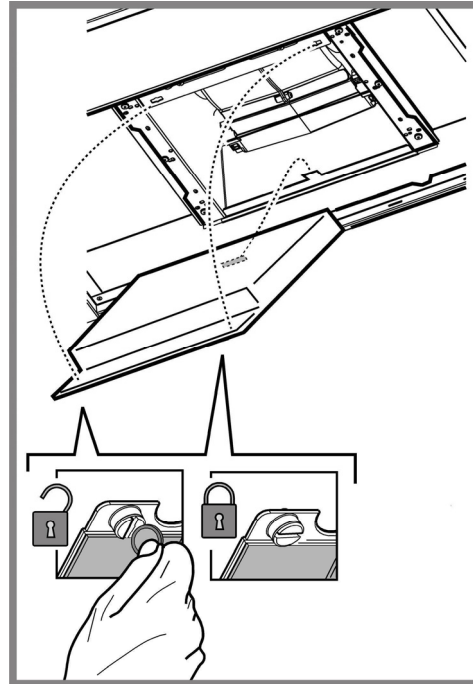
In any case it is necessary to replace the cartridge at least every four months (or when the filter saturation indication system – if envisaged on the model in possession – indicates this necessity). The charcoal filter may NOT be washed or regenerated.

#### Assembly

Hook the charcoal filter at the back on the metal tongue of the hood first, then on the front with the two knobs.

#### Disassembly

Remove the charcoal filter by turning the knobs fixing it to the hood by 90°.



### Replacing lamps

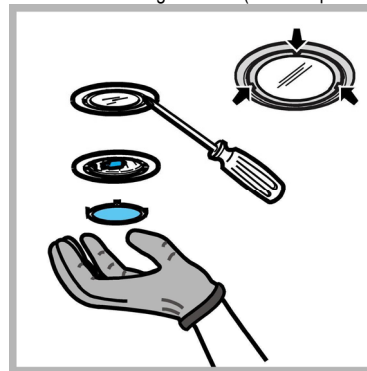
**AHGC 9.7F AB X - AHBS 6.7F AL X - AHBS 9.4 AM X  
AHBS 9.7F AL X - AHF 9.4F AM X - AHF 6.4F AM X  
AHC 9.7F ATI X - AHC 9.7F AB X**

Disconnect the appliance from the electricity.

**Warning!** Prior to touching the light bulbs ensure they are cooled down.

Replace the old light bulb with the one of the same type as specified in the feature label or near the light lamp on the hood.

1. Using a flat head screwdriver or equivalent tool, carefully pry loose the light cover.
2. Remove the damaged light and replace with a new 12 Volt, 20 Watt (Maximum) halogen light made for a G-4 base **SUITABLE FOR USE IN OPEN LUMINAIRES.** Follow package directions and do not touch new light with bare hands.
3. Reinstall the light cover. (it will snap shut).



### AHBS 9.7F LTI X


The hood is equipped with a lighting system based on LED technology. The LEDs guarantee an optimum lighting, a duration up to 10 times as long as the traditional lamps and allow to save 90% electrical energy.

For replacement, contact the technical service.

## DISPOSAL

This appliance is marked according to the European directive 2012/19/EC on Waste Electrical and Electronic Equipment (WEEE). By ensuring this product is disposed of correctly, you will help prevent potential negative consequences for the environment and human health, which could otherwise be caused by inappropriate waste handling of this product.



The symbol  on the product, or on the documents accompanying the product, indicates that this appliance may not be treated as household waste. Instead it should be taken to the appropriate collection point for the recycling of electrical and electronic equipment. Disposal must be carried out in accordance with local environmental regulations for waste disposal.

For further detailed information regarding the process, collection and recycling of this product, please contact the appropriate department of your local authorities or the local department for household waste or the shop where you purchased this product.

Appliance designed, tested and manufactured according to:

- Safety: EN/IEC 60335-1; EN/IEC 60335-2-31, EN/IEC 62233.
- Performance: EN/IEC 61591; ISO 5167-1; ISO 5167-3; ISO 5168; EN/IEC 60704-1; EN/IEC 60704-2-13; EN/IEC 60704-3; ISO 3741; EN 50564; IEC 62301.
- EMC: EN 55014-1; CISPR 14-1; EN 55014-2; CISPR 14-2; EN/IEC 61000-3-2; EN/IEC 61000-3-3. Suggestions for a correct use in order to reduce the environmental impact: Switch ON the hood at minimum speed when you start cooking and kept it running for few minutes after cooking is finished. Increase the speed only in case of large amount of smoke and vapour and use boost speed(s) only in extreme situations. Replace the charcoal filter(s) when necessary to maintain a good odour reduction efficiency. Clean the grease filter(s) when necessary to maintain a good grease filter efficiency. Use the maximum diameter of the ducting system indicated in this manual to optimize efficiency and minimize noise.

















## MALFUNCTIONS

If something appears not to be working properly, do the following simple checks before calling Technical Service:

- If the hood is not working:  
Check that:
  - The power has not been disconnected.
  - A speed has been selected.
- If the hood performs inefficiently:  
Check that:
  - The motor speed selected is sufficient for the amount of smoke and vapours released.
  - The kitchen is sufficiently ventilated to allow air intake.
  - The charcoal filter is not worn (hood in filtering version).
- If the hood has turned off during normal functioning:  
Check that:
  - The power has not been disconnected.
  - the omnipolar disconnection device has not tripped.

If the hood fails to operate correctly, briefly disconnect it from the mains power supply for almost 5 sec. by pulling out the plug. Then plug it in again and try once more before contacting the Technical Assistance Service.

## TECHNICAL DATA

Model	Height (cm)	Width (cm)	Depth (cm)	Ø of exhaust tube (cm)
AHBS6.7FALX	 61,9 - 114  70,4 - 114	59,8	45	15-12,5-12
AHBS9.4FAMX AHBS9.7FALX	 61,9 - 114  70,4 - 114	89,8	45	15-12,5-12
AHF6.4FAMX	 60 - 112,5  68,5 - 112,5	59,8	45	15-12,5-12
AHF9.4FAMX	 60 - 112,5  68,5 - 112,5	89,8	45	15-12,5-12
AHGC9.7FABX	 62,3 - 114,8  70,8 - 114,8	89,8	45	15-12,5-12
AHBS9.7FLTIX	 60 - 112,5  68,5 - 112,5	89,8	45,5	15-12,5-12
AHC 9.7F ATI X	 66,5 - 109  75 - 115	89,8	50,5	15-12,5-12
AHC 9.7F AB X	 66,5 - 109  75 - 115	89,8	50	15-12,5-12

Please check the plate in order to verify the total absorption and the light absorption.

**AHGC 9.7F AB X - AHBS 6.7F AL X - AHBS 9.4 AM X  
AHBS 9.7F AL X - AHF 9.4F AM X - AHF 6.4F AM X  
AHC 9.7F ATI X - AHC 9.7F AB X**

	Power (W)	Voltage (V)	Cap	Dimensions (mm)
Halogen	2 x 20W	12	G4	33xØ10

### AHBS 9.7F LTI X

The hood is equipped with a lighting system based on LED technology. For replacement, contact the technical service.



Components not provided with the product

## SÉCURITÉ GÉNÉRALE

Avant toute opération de nettoyage ou d'entretien, débranchez l'alimentation électrique en retirant la fiche ou en coupant l'interrupteur général.

Utilisez de gants de travail pour toute opération de nettoyage ou d'entretien.

Cet appareil peut être utilisé par des enfants âgés d'au moins 8 ans et par des personnes ayant des capacités physiques, sensorielles ou mentales réduites ou dénuées d'expérience ou de connaissance, s'ils (si elles) sont correctement surveillés ou si des instructions relatives à l'utilisation de l'appareil en toute sécurité leur ont été données et si les risques encourus ont été appréhendés. Les enfants ne doivent pas jouer avec l'appareil. Le nettoyage et l'entretien par l'utilisateur ne doivent pas être effectués par des enfants sans surveillance.

La pièce doit avoir une aération suffisante lorsque la hotte est utilisée conjointement avec d'autres appareils fonctionnant au gaz ou autres combustibles. La hotte doit être régulièrement nettoyée à la fois à l'intérieur et à l'extérieur (AU MOINS UNE FOIS PAR MOIS); cela devrait se faire en conformité avec les instructions d'entretien. Le non respect des instructions expressément fournies concernant le nettoyage de la hotte et des filtres peut provoquer des risques d'incendie.

### Ne pas flamber d'aliments sous la hotte.

L'utilisation d'une flamme nue est dommageable pour les filtres et peut causer un incendie, par conséquent, elles doivent être évitées de toute façon.

La friture doit être faite avec soin afin de s'assurer que l'huile surchauffée ne prend pas feu.

AVERTISSEMENT: Lorsque la table de cuisson est en fonctionnement, les parties accessibles de la hotte peuvent devenir très chaudes.

Pour le remplacement de la lampe, utilisez uniquement le type de lampe spécifié dans la section remplacement/maintenance lampe dans ce manuel.

**Attention!** Ne pas brancher l'appareil au réseau électrique avant que l'installation est complètement terminée.

En ce qui concerne les mesures techniques et de sécurité à prendre pour l'évacuation des fumées, respectez strictement les dispositions des règlements locaux.

L'air ne doit pas être envoyé dans un conduit utiliser pour évacuer les fumées d'appareils utilisant du gaz ou un autre combustible.

Ne pas utiliser ou laisser la hotte sans les lampes correctement montées, car un éventuel risque de choc électrique est possible.

N'utilisez jamais la hotte sans la grille montée correctement!

La hotte ne doit JAMAIS être utilisée comme une surface d'appui, sauf indication expresse.

Utilisez uniquement les vis de fixation fournies avec le produit pour l'installation, ou, si non fournies, acheter le type correct de vis.

Utilisez la longueur correcte pour les vis qui sont identifiées dans le Guide d'installation. En cas de doute, consultez votre centre de service agréé ou du personnel qualifié.

ATTENTION! Le défaut d'installer les vis et les dispositifs de fixation conformément à ces instructions peut entraîner des risques électriques.

Ne pas mettre en marche au moyen d'un programmeur, d'une minuterie, ou

d'un système de commande à distance séparé ou tout autre dispositif qui met l'appareil sous tension automatiquement.

**La hotte peut avoir des configurations esthétiques différentes par rapport à ce qui est illustré dans les dessins de ce manuel, cependant les instructions pour l'utilisation, l'entretien et l'installation restent identiques.**

**Suivre impérativement les instructions de cette notice.** Le constructeur décline toute responsabilité pour tous les inconvénients, dommages ou incendies provoqués à l'appareil et dus à la non observation des instructions de la présente notice. Cet appareil est destiné à être utilisé dans des applications domestiques et analogues telles que : - des coins cuisines réservés au personnel dans des magasins, bureaux et autres environnements professionnels ; - des fermes ; - l'utilisation par les clients des hôtels, motels et autres environnements à caractère résidentiel ; - des environnements du type chambre d'hôtes.

! Il est important de conserver ce livret pour pouvoir le consulter à tout moment. En cas de vente, de cession ou de déménagement, s'assurer qu'il reste avec le produit.

! Lire attentivement les instructions: il y a d'importantes informations sur l'installation, sur l'emploi et sur la sécurité.

! Ne pas effectuer des modifications électriques ou mécaniques sur le produit ou sur les conduit d'évacuation.

! Avant d'installer l'appareil, vérifiez qu'il n'y a aucun composant endommagé. Sinon, contactez votre revendeur et ne pas continuer l'installation.

La distance minimum entre la superficie de support des récipients sur le dispositif de cuisson et la partie la plus basse de la hotte de cuisine ne doit pas être inférieure à 50cm dans le cas de cuisinières électriques et de 65cm dans le cas de cuisinières à gaz ou mixtes.

Si les instructions d'installation du dispositif de cuisson au gaz spécifient une plus grande distance, il faut en tenir compte.

## BRANCHEMENT ÉLECTRIQUE

La tension électrique doit correspondre à la tension reportée sur la plaque signalétique située à l'intérieur de la hotte. Si une prise est présente, branchez la hotte dans une prise murale conforme aux normes en vigueur et placée dans une zone accessible également après l'installation. Si aucune prise n'est présente (raccordement direct au circuit électrique), ou si la prise ne se trouve pas dans une zone accessible également après l'installation, appliquez un disjoncteur normalisé pour assurer de débrancher complètement la hotte du circuit électrique en conditions de catégorie surtension III, conformément aux réglementations de montage.

**Attention!** Avant de rebrancher le circuit de la hotte à l'alimentation électrique et d'en vérifier le fonctionnement correct, contrôlez toujours que le câble d'alimentation soit monté correctement.

### Changement du câble d'alimentation

La hotte est pourvue d'un câble d'alimentation spécial; en cas de détérioration du câble, en demander un neuf au service d'assistance technique.

## ÉVACUATION DE L'AIR

(pour les versions aspirantes)

Relier la hotte aux tubes et trous d'évacuation de la paroi d'un diamètre équivalent à la sortie de l'air (collier de raccord).

L'utilisation de tubes et des trous d'évacuation à paroi avec un diamètre inférieur entraînera une diminution des performances d'aspiration et une nette augmentation du bruit.

Nous déclinons toute responsabilité à cet égard.

- ! Utiliser un tuyau de la longueur strictement nécessaire.
- ! Les coudes du tuyau doivent être en nombre minimale (angle maxi du coude: 90°).
- ! Éviter les variations excessives de section du tuyau.
- ! La société décline toute responsabilité si ces normes ne sont pas respectées.

## FILTRANTE OU ASPIRANTE ?

- ! Votre hotte est prête pour être utilisée en version aspirante. Pour utiliser la hotte en version filtrante, il faut installer le KIT ACCESSOIRES prévu. Vérifier dans les premières pages de ce manuel si le KIT ACCESSOIRES est déjà fourni ou s'il faut l'acheter à part.  
**Remarque:** Si fourni dans le kit, dans certains cas, le système de filtration supplémentaire à base de charbon actif pourrait déjà être installé dans la hotte.  
Les informations pour la transformation de la hotte de version aspirante à version filtrante sont déjà contenues dans ce manuel.



### Version aspirante

Les vapeurs sont évacuées vers l'extérieur à travers un conduit d'évacuation fixé à la bride de raccord qui se trouve au-dessus de la hotte.

**Attention!**

Le tuyau d'évacuation n'est pas fourni et doit être acheté à part. Le diamètre du tuyau d'évacuation doit être égal à celui de la bride de raccord. Si la hotte est équipée d'un filtre à charbon, ce dernier doit être enlevé.



### Version filtrante

L'air d'aspiration sera dégraissé et désodorisé avant d'être renvoyé dans la pièce.

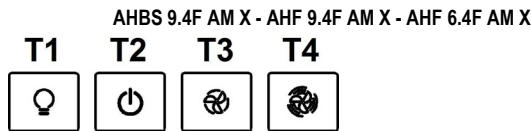
Pour utiliser la hotte dans cette version, vous devez installer un système de filtrage supplémentaire basé sur charbon actif.



## COMMANDES

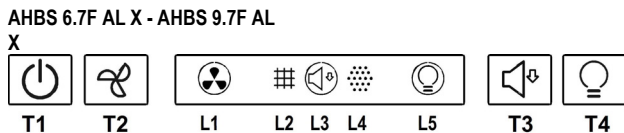
La hotte est équipée d'un panneau de contrôle doté d'une commande de vitesse d'aspiration et d'une commande d'éclairage du plan de cuisson.

### Modèles avec panneau de contrôle mécanique



- T1. Interrupteur lumières ON/OFF.
- T2. Interrupteur OFF/vitesse 1
- T3. Sélection vitesse 2
- T4. Sélection vitesse 3

### Modèles avec panneau de contrôle Soft Button + Display LCD



- T1. Touche ON/OFF moteur d'aspiration
- T2. Touche de sélection vitesse (puissance) d'aspiration moyenne, haute et intensive.  
**Note:** La vitesse (puissance) d'aspiration intensive (LED L1 clignotant) a une durée d'environ 5 minutes, puis la vitesse (puissance) d'aspiration moyenne est automatiquement réglée.
- T3. Touche de sélection vitesse (puissance) d'aspiration "silencieuse"
- T4. Touche ON/OFF éclairage
- L1. Icône d'état vitesses (puissances) d'aspiration
- L2. Icône d'état indicateur de saturation filtre à graisse
- L3. Icône d'état vitesse (puissance) d'aspiration basse (silencieuse)
- L4. Icône d'état indicateur de saturation du filtre à charbon
- L5. Icône d'état Éclairage

#### Réinitialisation indicateur saturation filtres

Après avoir effectué l'entretien du filtre, appuyez longuement sur la touche T3, l'icône indiquant la saturation s'éteint. Répétez l'opération si les deux icônes qui indiquent la saturation (graisse et charbon) sont allumées.

#### Activation icône saturation du filtre à charbon

L'icône de saturation du filtre à charbon est normalement désactivée. Pour l'activer, procédez comme suit:

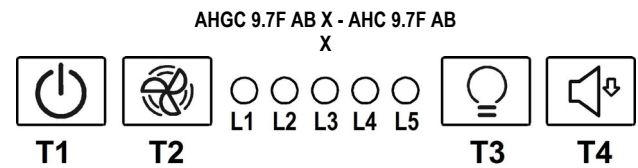
Avec la hotte arrêtée, appuyez et maintenez enfoncées et simultanément T1 et T3: d'abord L4 clignote, puis est allumée à lumière fixe pour indiquer l'activation réussie.

**Désactivation icône saturation du filtre à charbon:** répétez l'opération ci-dessus, L4 s'allume à lumière fixe, puis clignote et s'éteint pour indiquer la désactivation.

#### Fonctionnement automatique à température élevée

La hotte est équipée d'un capteur qui détecte la température. Lorsque la température devient trop élevée, le capteur va activer automatiquement la vitesse (puissance) moyenne d'aspiration. La hotte est désactivée lorsque la température détectée par le capteur est réduite de façon significative.

### Modèles avec panneau de contrôle Soft Button + Silent Speed



- T1. Touche ON/OFF moteur d'aspiration
- T2. Touche de sélection vitesse (puissance) d'aspiration de fonctionnement  
**Note:** La vitesse (puissance) d'aspiration intensive (LED L3 clignotant) a une durée d'environ 5 minutes, puis la vitesse (puissance) d'aspiration moyenne est automatiquement réglée (LED L2 allumée)
- T3. Touche ON/OFF éclairage
- T4. Touche de sélection vitesse (puissance) d'aspiration "silencieuse"

- L1. LED vitesse (puissance) d'aspiration moyenne
- L2. LED vitesse (puissance) d'aspiration haute
- L3. LED vitesse (puissance) d'aspiration intensive - temporisée (5 min.).
- L4. LED de saturation des filtres:  
clignotant: effectuer la maintenance du filtre à charbon.  
ON: effectuer la maintenance des filtres à graisses.
- L5. LED vitesse (puissance) d'aspiration basse (silencieuse)

**L1+L2+L3 clignotant en séquence:** Fonctionnement automatique à température élevée (voir la section dédiée)

#### Réinitialisation saturation filtres

Après avoir effectué l'entretien des filtres, appuyez et maintenez appuyée la touche T1, la LED L4 va s'éteindre.

#### Activation LED saturation du filtre à charbon

La LED de saturation du filtre à charbon est normalement désactivée. Pour l'activer, procédez comme suit:

Avec la hotte arrêtée, appuyez et maintenez enfoncées et simultanément T1 et T4: d'abord L1 clignote, puis L2 clignote aussi pour indiquer l'activation réussie.

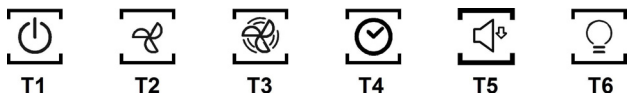
**Désactivation LED saturation du filtre à charbon:** répétez l'opération ci-dessus, d'abord L1 et L2 clignotent, puis uniquement L1 pour indiquer la désactivation réussie.

#### Fonctionnement automatique à température élevée

La hotte est équipée d'un capteur qui détecte la température. Lorsque la température devient trop élevée, le capteur va activer automatiquement la vitesse (puissance) moyenne d'aspiration. La hotte est désactivée lorsque la température détectée par le capteur est réduite de façon significative.

## Modèle avec panneau de contrôle Ecran tactile

### AHBS 9.7F LTI X - AHC 9.7F ATI X



Pour sélectionner les fonctions de la hotte il suffit de toucher les commandes:

#### T1. Touche ON/OFF moteur d'aspiration

#### T2. Touche de sélection vitesse (puissance) d'aspiration moyenne

#### T3. Touche de sélection vitesse (puissance) d'aspiration haute et intensive

Appuyez une fois pour sélectionner la vitesse (puissance) d'aspiration haute (LED L3 ON);

Appuyez encore une fois pour sélectionner la vitesse (puissance) d'aspiration intensive (LED L3 clignotant).

**Note:** La vitesse (puissance) d'aspiration intensive a une durée d'environ 5 minutes, après cela la vitesse (puissance) d'aspiration haute est réglée automatiquement.

#### T4. Touche arrêt automatique (Temporisateur) et indicateur saturation filtre à charbon:

##### Arrêt automatique:

Appuyez sur cette touche pour régler l'arrêt automatique de la vitesse (puissance) d'aspiration active:

Vitesse (puissance) d'aspiration silencieuse: **10 minutes**

Vitesse (puissance) d'aspiration moyenne: **20 minutes**

Vitesse (puissance) d'aspiration haute: **15 minutes**

##### Indicateur saturation filtre à charbon

Lorsque clignotant, effectuez la maintenance du **filtre à charbon**, si installé; ensuite maintenez enfoncée la touche **T6** pour la faire cesser de clignoter.

#### T5. Touche de sélection vitesse (puissance) d'aspiration "silencieuse" et indicateur saturation filtre à graisse

**Note:** lorsque clignotante, effectuez la maintenance du **filtre à graisse**; ensuite, maintenez enfoncée la touche **T6** pour la faire cesser de clignoter.

#### T6. Touche ON/OFF éclairage

**T3+T4+T5 clignotantes:** fonctionnement automatique dans des conditions de température élevée (voir le paragraphe correspondant)

##### Activation indicateur saturation filtre à charbon

Cet indicateur est normalement désactivée. Pour l'activer, procédez comme suit:

Avec la hotte arrêtée, appuyez et maintenez enfoncées simultanément **T4** et **T5**: d'abord, **T5** clignote, ensuite **T4** aussi pour indiquer l'activation réussie.

**Désactivation LED saturation filtre à charbon:** répétez l'opération ci-dessus, d'abord **T5** et **T4** clignotent, ensuite **T5** seulement pour indiquer la désactivation réussie.

##### Fonctionnement automatique dans des conditions de température élevée

La hotte est équipée d'un capteur qui détecte la température. Lorsque cela devient trop élevée, le capteur active automatiquement la vitesse (puissance) d'aspiration moyenne. La hotte est arrêtée lorsque la température détectée par le capteur est réduite de façon significative.

## ENTRETIEN

### Nettoyage

Pour le nettoyage, utiliser **EXCLUSIVEMENT** un chiffon humidifié avec des détergents liquides neutres. **NE PAS UTILISER D'OUTILS OU D'INSTRUMENTS POUR LE NETTOYAGE !** Éviter l'usage de produits abrasifs, **NE PAS UTILISER D'ALCOOL!**

### Panneau d'aspiration périmétral

Nettoyer le panneau d'aspiration périmétral à la même fréquence que le filtre anti-graisses, utiliser un chiffon et un détergent liquide pas trop concentré. Ne jamais utiliser de substances abrasives.

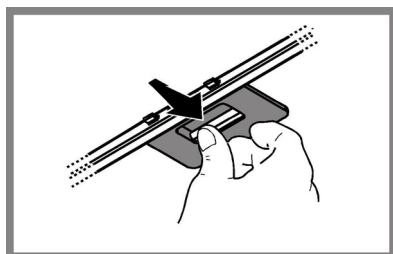
### Entretien des filtres anti-graisses

**Il retient les particules de graisse issues de la cuisson.**

Le filtre doit être nettoyé une fois par mois (ou lorsque le système d'indication de saturation des filtres – si prévu sur le modèle possédé – indique cette nécessité) avec des détergents non agressifs, à la main ou dans le lave-vaisselle à faibles températures et cycle rapide.

Le lavage du filtre anti-graisse métallique au lave-vaisselle peut en provoquer la décoloration. Toutefois, les caractéristiques de filtrage ne seront en aucun cas modifiées.

Pour démonter le filtre anti-graisse, tirer la poignée de décrochement à ressort.



### Entretien des filtres au charbon

**Retient les odeurs désagréables de cuisson.**

La saturation du charbon actif se constate après un emploi plus ou moins long, selon le type de cuisinière et de régularité du nettoyage du filtre à graisses. En tout cas, il est nécessaire de changer le filtre après, au maximum, quatre mois (ou lorsque le système d'indication de saturation des filtres – si prévu sur le modèle possédé – indique cette nécessité).

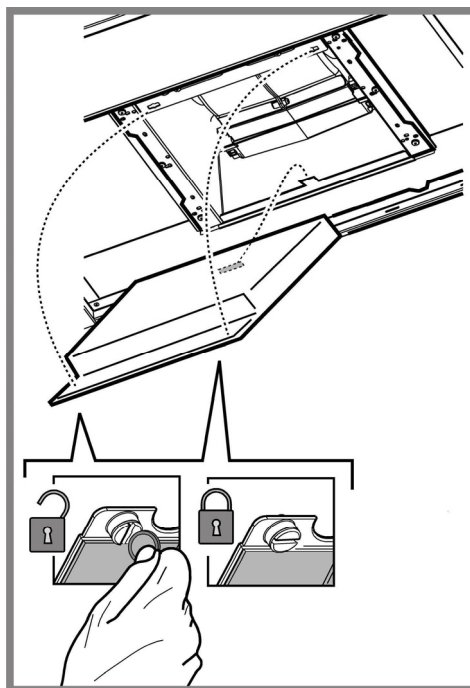
IL NE PEUT PAS être nettoyé ou régénéré.

### Montage

Accrocher le filtre au charbon actif d'abord à l'arrière de la languette métallique de la hotte, puis à l'avant avec les deux pommeaux.

### Démontage

Enlever le filtre au charbon actif en tournant de 90° les pommeaux qui le fixent à la hotte.



### Remplacement des lampes

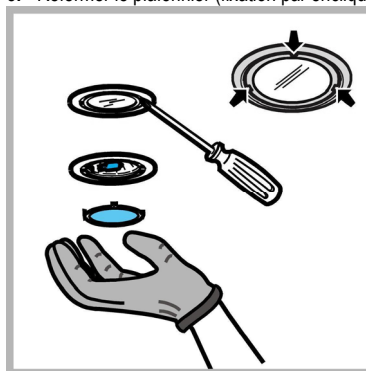
**AHGC 9.7F AB X - AHBS 6.7F AL X - AHBS 9.4 AM X  
AHBS 9.7F AL X - AHF 9.4F AM X - AHF 6.4F AM X  
AHC 9.7F ATI X - AHC 9.7F AB X**

Débrancher l'appareil du réseau électrique

**Attention!** Avant de toucher les lampes, assurez-vous qu'elles soient froides.

Remplacez la vieille ampoule avec le même type tel que spécifié par l'étiquette des caractéristiques ou à proximité de l'ampoule même sur le capot.

1. sortir la protection en utilisant un petit tournevis à lame plate ou tout autre outil similaire.
2. Remplacer la lampe endommagée.  
Utiliser uniquement des lampes halogènes 12V -20W max - G4 (**Adaptée à un système d'éclairage ouvert**), en ayant soin de ne pas les toucher avec les mains.
3. Refermer le plafonnier (fixation par encliquetage).



### AHBS 9.7F LTI X

La hotte est dotée d'un système d'éclairage basé sur la technologie LED. Les LEDS garantissent un éclairage optimal, une durée jusqu'à 10 fois supérieures aux ampoules traditionnelles et permettent une épargne de 90% en énergie électrique.


Pour le remplacement, s'adresser au service d'assistance technique.

## ÉLIMINATION

Cet appareil porte le symbole du recyclage conformément à la Directive Européenne 2012/19/EC concernant les Déchets d'Équipements Électriques et Électroniques (DEEE ou WEEE).

En procédant correctement à la mise au rebut de cet appareil, vous contribuerez à empêcher toute conséquence nuisible pour l'environnement et la santé de l'homme.



Le symbole  présent sur l'appareil ou sur la documentation qui l'accompagne indique que ce produit ne peut en aucun cas être traité comme déchet ménager. Il doit par conséquent être remis à un centre de collecte des déchets chargé du recyclage des équipements électriques et électroniques.

Pour la mise au rebut, respectez les normes relatives à l'élimination des déchets en vigueur dans le pays d'installation.

Pour obtenir de plus amples détails au sujet du traitement, de la récupération et du recyclage de cet appareil, veuillez vous adresser au bureau compétent de votre commune, à la société de collecte des déchets ou directement à votre revendeur.

Appareil conçu, testé et fabriqué conformément aux normes suivantes :

- Sécurité : EN/IEC 60335-1; EN/IEC 60335-2-31, EN/IEC 62233.
- Performances : EN/IEC 61591; ISO 5167-1; ISO 5167-3; ISO 5168; EN/IEC 60704-1; EN/IEC 60704-2-13; EN/IEC 60704-3; ISO 3741; EN 50564; IEC 62301.
- EMC: EN 55014-1; CISPR 14-1; EN 55014-2; CISPR 14-2; EN/IEC 61000-3-2; EN/IEC 61000-3-3. Suggestions pour une utilisation correcte afin de réduire l'impact environnemental : Allumer la hotte à la vitesse minimum pendant la cuisson et la laisser fonctionner pendant quelques minutes après la fin de la cuisson. Augmenter la vitesse uniquement en présence d'une grande quantité de fumée ou de vapeur et n'utiliser la/les vitesse(s) accélérées que dans les cas extrêmes. Remplacer le(s) filtre(s) au charbon lorsque cela est nécessaire afin de maintenir une réduction efficace des odeurs. Nettoyer le(s) filtres à graisse lorsque cela est nécessaire afin de maintenir un filtrage efficace des graisses. Utiliser un système de tuyauterie du diamètre maximum indiqué dans ce manuel afin d'optimiser le rendement et de minimiser le bruit.

















## ANOMALIES DE FONCTIONNEMENT

En cas d'anomalie de fonctionnement, avant de faire appel au service d'assistance, effectuer les contrôles suivants:

- Si la hotte ne fonctionne pas:  
S'assurer:
  - de l'absence de coupure de courant.
  - qu'une vitesse a été sélectionnée.
- Si la hotte a un faible rendement:  
S'assurer:
  - que la vitesse du moteur sélectionnée est suffisante pour la quantité de fumée et de vapeurs libérées.
  - que la cuisine est insuffisamment aérée pour assurer une prise d'air.
  - que le filtre à charbon n'est pas usé (hotte en version filtrante).
- Si la hotte s'éteint durant son fonctionnement normal:  
S'assurer:
  - de l'absence de coupure de courant.
  - que le dispositif d'interruption omnipolaire ne s'est pas déclenché.

Si la hotte ne fonctionne pas correctement, débranchez la prise pendant environ 5 secondes, puis rebranchez-la. Si le problème persiste, contactez le service de réparation compétent.

## DONNÉES TECHNIQUE

Modèle	Hauteur (cm)	Largeur (cm)	Profondeur (cm)	Ø de tube d'évacuation (cm)
AHBS6.7FALX	 61,9 - 114  70,4 - 114	59,8	45	15-12,5-12
AHBS9.4FAMX AHBS9.7FALX	 61,9 - 114  70,4 - 114	89,8	45	15-12,5-12
AHF6.4FAMX	 60 - 112,5  68,5 - 112,5	59,8	45	15-12,5-12
AHF9.4FAMX	 60 - 112,5  68,5 - 112,5	89,8	45	15-12,5-12
AHGC9.7FABX	 62,3 - 114,8  70,8 - 114,8	89,8	45	15-12,5-12
AHBS9.7FLTIX	 60 - 112,5  68,5 - 112,5	89,8	45,5	15-12,5-12
AHC 9.7F ATI X	 66,5 - 109  75 - 115	89,8	50,5	15-12,5-12
AHC 9.7F AB X	 66,5 - 109  75 - 115	89,8	50	15-12,5-12

Voir la plaque signalétique pour la puissance totale absorbée et la puissance absorbée par l'ampoule d'éclairage.

AHGC 9.7F AB X - AHBS 6.7F AL X - AHBS 9.4 AM X  
AHBS 9.7F AL X - AHF 9.4F AM X - AHF 6.4F AM X  
AHC 9.7F ATI X - AHC 9.7F AB X

	Puissance (W)	Tension (V)	Culot	Dimensions (mm)
Halogène	2 x 20W	12	G4	33xØ10

### AHBS 9.7F LTI X

La hotte est dotée d'un système d'éclairage basé sur la technologie LED. Pour le remplacement, s'adresser au service d'assistance technique.



Éléments non fournis avec la hotte

## **SEGURIDAD GENERAL**

Antes de llevar a cabo cualquier operación de limpieza o mantenimiento, desconectar la campana de la alimentación eléctrica desenchufando la clavija o desconectando el interruptor general de la vivienda.

Para todas las operaciones de instalación y mantenimiento utilizar los guantes de trabajo.

El aparato puede ser usado por niños mayores a 8 años y por personas con discapacidades físicas, sensoriales o mentales, o con falta de experiencia o de conocimiento necesario, previsto que estén bajo vigilancia o después de que las mismas hayan recibido instrucción relacionada con el uso seguro del aparato y de la comprensión de los peligros inherentes a éste.

Los niños deben ser supervisados para asegurarse de que no jueguen con el aparato.

La limpieza y el mantenimiento no deben ser realizados por niños sin debida supervisión.

La habitación debe estar suficientemente ventilada cuando la campana se utiliza contemporáneamente con otros dispositivos a combustión de gas u otros combustibles.

La campana debe ser limpiada con frecuencia, tanto internamente como externamente (POR LO MENOS UNA VEZ AL MES), en todo caso seguir lo que se indica expresamente en las instrucciones de mantenimiento.

La inobservancia de las normas de limpieza de la campana y del cambio y la limpieza puede comportar riesgo de incendios.

Es estrictamente prohibido flamear los alimentos bajo la campana.

El uso de una llama libre es perjudicial para los filtros y puede provocar incendios, por lo tanto, debe evitarse en cualquier caso.

Los fritos debe realizarse con cuidado para evitar que el aceite caliente prenda fuego.

**ATENCIÓN:** Cuando la placa de cocción está funcionando las partes accesibles de la campana pueden calentarse.

Para la sustitución de la lámpara sólo utilizar el tipo de lámpara indicado en la sección de mantenimiento/sustitución de este manual.

**¡Atención!** No conectar la unidad a la red eléctrica hasta que la instalación sea totalmente completada.

En cuanto a las medidas técnicas y de seguridad a adoptar para la descarga de los humos, seguir estrictamente lo previsto por los reglamentos de las autoridades locales competentes.

El aire aspirado no debe ser transportado en un conducto usado para la descarga de humos producidos por dispositivos de combustión a gas u otros combustibles.

No utilizar ni dejar la campana sin las luces correctamente instaladas debido al posible riesgo de descarga eléctrica.

No utilizar nunca la campana sin la rejilla montada correctamente!

La campana NUNCA debe utilizarse como una superficie de apoyo a menos que así se indique específicamente.

Utilizar sólo los tornillos para fijación suministrados con el producto para su

instalación, o, si no se suministran, comprar el tipo correcto de tornillos. Utilizar la longitud correcta para los tornillos que se identifican en la Guía de instalación. En caso de duda, consultar el centro de asistencia autorizado o un similar personal calificado.

**¡ATENCIÓN!** Si no se instalan los tornillos y elementos de fijación de acuerdo con estas instrucciones se puede incurrir en riesgos de naturaleza eléctricos.

**La campana puede ser diferente con respecto a los dibujos de este manual, aunque las instrucciones para su uso, la manutención y la instalación son las mismas.**

**Aténgase estrictamente a las instrucciones del presente manual.** Se declina toda responsabilidad por eventuales inconvenientes, daños o incendios provocados al aparato originados por la inobservancia de las instrucciones colocadas en este manual. La campana extractora ha sido ideada para la aspiración de humos y vapores producidos durante la cocción y para el uso doméstico.

- ! Es importante guardar este manual para poder consultar si fuera necesario. En el caso de venta, de inutilidad o de mudanza, asegurarse que quede junto al producto.
- ! Leer atentamente las instrucciones: contiene importantes informaciones sobre la instalación, el uso y la seguridad.
- ! No realizar variaciones eléctricas o mecánicas en el producto o en el tubo de escape.
- ! Antes de instalar el aparato, controlar que todas sus partes no estén dañadas. En caso contrario llamar al revendedor y no realizar la instalación.

La distancia mínima entre la superficie de cocción y la parte más baja de la campana no debe ser inferior a 50cm en el caso de cocinas eléctricas y de 65cm en el caso de cocinas a gas o mixtas.

Si las instrucciones para la instalación del dispositivo para cocinar con gas especifican una distancia mayor, hay que tenerlo en consideración.

---

## CONEXIÓN ELÉCTRICA

La tensión de red debe corresponder con la tensión indicada en la etiqueta colocada en el interior de la campana. Si es suministrada con un enchufe, conectar la campana a un enchufe conforme a las normas en vigor y colocarlo en una zona accesible, aun después de la instalación. Si no es suministrada con enchufe (conexión directa a la red) o clavija y no es posible situarla en un lugar accesible, aun después de la instalación, colocar un interruptor bipolar de acuerdo con las normativas, para asegurarse la desconexión completa a la red en el caso de la categoría de alta tensión III, conforme con las reglas de instalación.

**Atención!** Antes de reconectar el circuito de la campana a la red y de verificar el correcto funcionamiento, controlar siempre que el cable de red fue montado correctamente.

### Sustitución del cable de alimentación

La campana está provista de un cable de alimentación especial; si el cable se daña, solicite uno nuevo al Servicio de Asistencia Técnica.

## EXTRACCIÓN DE AIRE

(Para las versiones aspirantes) Conectar la campana en los tubos y en los orificios de escape de pared con diámetro equivalente a la salida del aire (brida de empalme).

El uso de tubos u orificios de escape de pared con diámetro inferior, determinará una reducción de los rendimientos de la aspiración y un drástico aumento del ruido.

Se deslinda responsabilidad.

- ! Utilice un conducto cuya longitud sea la mínima indispensable.
- ! Utilice un conducto con el menor número posible de curvas (ángulo máximo de la curva: 90°).
- ! Evite los cambios drásticos en la sección del conducto
- ! La empresa declina cada responsabilidad en caso de que estas normas no sean respetadas!

## ¿ FILTRANTE O ASPIRANTE ?

- ! Su campana extractora está lista para ser usada en versión aspirante. Para utilizar la campana en versión filtrante se instala el KIT ACCESORIO. Controle en las primeras paginas de este manual si el KIT ACCESORIO ya está proveido o si hay que comprarlo.

**Nota:** Si proveido, en algunos casos, el sistema de filtración añadido a base de carbones activos podría estar ya instalado en la campana. Las informaciones para la transformación de la campana en versión aspirante a versión filtrante ya están presentes en este manual.



### Versión aspirante

El vapor es evacuado hacia el exterior a través de un tubo de escape introducido en el aro de sujeción que se encuentra arriba de la campana.

El diámetro del tubo de escape debe ser igual al diámetro del aro de sujeción.



### Versión filtrante

El aire aspirado vendrá desgrasado y desodorizado antes de ser alimentado de nuevo en la habitación.

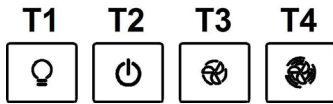
Para utilizar la campana en esta versión es necesario instalar un sistema de filtración adicional a base de carbón activado.

## MANDOS

La campana está dotada de un panel de mandos con control de las velocidades de aspiración y control de encendido de la luz para la iluminación del plano de cocción.

### Modelos con teclado mecánico

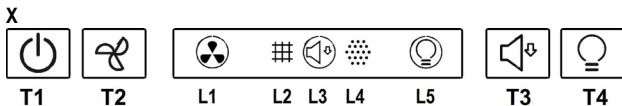
AHBS 9.4F AM X - AHF 9.4F AM X - AHF 6.4F AM X



- T1. Interruptor luz ON/OFF.
- T2. Interruptor OFF/ velocidad 1
- T3. Selección velocidad 2
- T4. Selección velocidad 3

### Modelos con teclado Soft Button + Display LCD

AHBS 6.7F AL X - AHBS 9.7F AL



- T1. Interruptor ON/OFF motor de aspiración
- T2. Interruptor selección velocidad (potencia) de aspiración de operación media, alta e intensiva.  
**Nota:** La velocidad (potencia) de aspiración intensiva (LED L1 intermitente) tiene una duración de aproximadamente 5 minutos, después de lo cual se ajusta automáticamente a velocidad (potencia) de aspiración media.
- T3. Interruptor de selección velocidad (potencia) de aspiración "silenciosa"
- T4. Interruptor ON/OFF iluminación

- L1. Icono estado velocidad (potencias) de aspiración
- L2. Icono estado indicador de saturación filtro grasas
- L3. Icono estado velocidad (potencia) de aspiración baja (silenciosa)
- L4. Icono estado indicador de saturación filtro de carbón
- L5. Icono estado iluminación

#### Restablecimiento indicador saturación filtros

Después de haber realizado la manutención del filtro presionar sostenidamente el interruptor T3 y el ícono que indica la saturación se apaga. Repetir la secuencia en caso de que los dos iconos indicadores de saturación (grasas y carbón) estén encendidos.

#### Activación ícono saturación filtro de carbón

El ícono de la saturación filtro de carbón está normalmente desactivado. Para activarlo proceder de la siguiente manera:  
Con la campana apagada, presionar y mantener presionados al mismo tiempo T1 y T3: L4 primero parpadea, después se enciende con una luz fija para indicar la activación realizada.

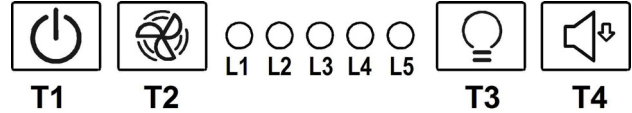
**Desactivación ícono saturación filtro de carbón:** repetir el procedimiento anteriormente descrito, L4 se enciende con una luz fija, luego parpadea hasta apagarse para indicar la desactivación realizada.

#### Funcionamiento automático en presencia de temperatura elevada

La campana está dotada de un sensor que detecta la temperatura. Cuando ésta última está muy elevada, el sensor hace activar automáticamente la velocidad (potencia) de aspiración media. La campana se apaga cuando la temperatura detectada por el sensor se haya reducido sensiblemente.

### Modelos con teclado Soft Button + Silent Speed

AHGC 9.7F AB X - AHC 9.7F AB



- T1. Interruptor ON/OFF motor de aspiración
- T2. Interruptor selección velocidad (potencia) de aspiración de operación  
**Nota:** La velocidad (potencia) de aspiración intensiva (LED L3 intermitente) tiene una duración de aproximadamente 5 minutos, después de lo cual se ajusta automáticamente a velocidad (potencia) de aspiración media (LED L2 encendido).
- T3. Interruptor ON/OFF iluminación
- T4. Interruptor de selección velocidad (potencia) de aspiración "silenciosa"

- L1. LED velocidad (potencia) de aspiración media
- L2. LED velocidad (potencia) de aspiración alta
- L3. LED velocidad (potencia) de aspiración intensiva - temporizada (5 min.).
- L4. LED de saturación de los filtros:  
**Intermitente:** realizar la manutención del filtro de carbón.  
**Encendido:** realizar la manutención de los filtros anti-grasas.
- L5 intermitentes en secuencia: funcionamiento automático en presencia de temperatura elevada (ver sección correspondiente)  
**Intermitente:** realizar la manutención del filtro de carbón.  
**Encendido:** realizar la manutención de los filtros anti-grasas.
- L5 LED velocidad (potencia) de aspiración media (silenciosa)
- L1+L2+L3 intermitentes en secuencia: funcionamiento automático en presencia de temperatura elevada (ver sección correspondiente)

#### Restablecimiento saturación filtros

Después de haber realizado la manutención de los filtros, mantener presionado el interruptor T1, el LED L4 se apaga.

#### Activación LED saturación filtro de carbón

El LED de la saturación filtro de carbón está normalmente desactivado. Para activarlo proceder de la siguiente manera:  
Con la campana apagada, presionar y mantener presionados al mismo tiempo T1 y T4: primero parpadea L1, después también lo hace L2 para indicar la activación realizada.

**Desactivación LED saturación filtro de carbón:** repetir el procedimiento anteriormente descrito, primero parpadean L1 y L2 y luego solo L1 para indicar la desactivación realizada.

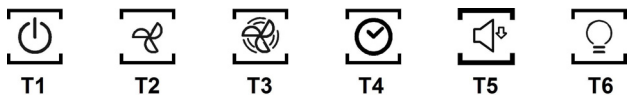
#### Funcionamiento automático en presencia de temperatura elevada

La campana está dotada de un sensor que detecta la temperatura. Cuando ésta última está muy elevada, el sensor hace activar automáticamente la velocidad (potencia) de aspiración media. La campana se apaga cuando la temperatura detectada por el sensor se haya reducido sensiblemente.



## Modelo con teclado SOFT-TOUCH

### AHBS 9.7F LTI X - AHC 9.7F ATI X



Para seleccionar las funciones de la campana es sólo necesario tocar los comandos:

#### T1. Botón ON/OFF motor de aspiración

#### T2. Botón de selección de velocidad (potencia) aspiración media

#### T3. Botón de selección de velocidad (potencia) aspiración alta e intensiva

Presionar una vez para seleccionar la velocidad (potencia) de aspiración alta (LED L3 encendida);

Presionar una vez más para seleccionar la velocidad (potencia) de aspiración intensiva (LED L3 intermitente);

**Nota:** La velocidad (potencia) de aspiración intensiva, tiene una duración aproximada de 5 minutos, después de los cuales se configura automáticamente la velocidad (potencia) de aspiración alta.

#### T4. Botón de apagado automático (Timer) e Indicador de saturación del filtro de carbón:

##### Apagado automático:

Presionar éste botón para configurar el apagado automático de la velocidad (potencia) de aspiración activa:

Velocidad (potencia) de aspiración silenciosa: **10 minutos**

Velocidad (potencia) de aspiración media: **20 minutos**

Velocidad (potencia) de aspiración alta: **15 minutos**

##### indicador saturación filtro de carbón

Cuando parpadea, realizar el mantenimiento, si está instalado, del **filtro de carbón**; después de lo cual mantener presionado el botón **T6** para detener la luz parpadeante.

#### T5. Botón de selección de velocidad (potencia) aspiración "silenciosa" e indicador saturación filtro de grasas

**Nota:** cuando parpadea realizar el mantenimiento del **filtro de grasas**; después de lo cual mantener presionado el botón **T6** para detener la luz parpadeante.

#### T6. Botón ON/OFF iluminación

**T3+T4+T5 parpadeante:** operación automática en presencia de temperatura alta (ver párrafo correspondiente)

##### Activación indicador saturación filtro de carbón

Este indicador está normalmente desactivado. Para activarlo, proceder de la siguiente manera:

Con la campana apagada, presionar y mantener presionado de manera contemporánea **T4** y **T5**: primero parpadea **T5** y luego **T4** para indicar la activación exitosa.

**Desactivación LED saturación filtro de carbón:** repetir la operación descrita anteriormente, primero parpadea **T5** y **T4** y luego i solo **T5** para indicar la activación exitosa

#### Funcionamiento automático en presencia de temperatura elevada

La campana está equipada con un sensor que detecta la temperatura. Cuando ésta es demasiado alta, el sensor activa automáticamente la velocidad (potencia) de aspiración media. La campana se apaga cuando la temperatura detectada por el sensor se reduce significativamente.



## MANTENIMIENTO

### Limpieza

Para la limpieza, utilice **EXCLUSIVAMENTE** un paño impregnado de detergente líquido neutro. **¡NO UTILICE UTENSILIOS O INSTRUMENTOS PARA LA LIMPIEZA!** No utilice productos que contengan abrasivos. **¡NO UTILICE ALCOHOL! ¡NO UTILICE DESINFECTANTES NI PRODUCTOS QUE CONTENGAN CLORO!**

### Panel de aspiración perimetral

Limpiar el panel de aspiración perimetral con la misma frecuencia del filtro antigrasas. Usar un paño y un detergente líquido no muy concentrado. No utilice sustancias abrasivas.

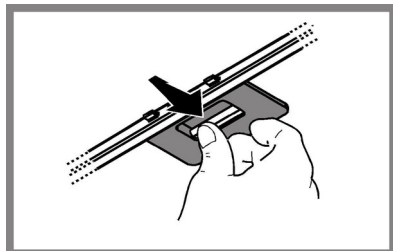
### Mantenimientos de los filtros antigrasa

**Retiene las partículas de grasa producidas cuando se cocina.**

Debe limpiarse una vez al mes (o cuando el sistema de indicación de saturación de los filtros - si está previsto en el modelo que se posee - indica esta necesidad) con detergentes no agresivos, manualmente con un cepillo de cerdas suaves o bien en lavavajillas a bajas temperaturas y con ciclo breve.

Con el lavado en el lavavajilla el filtro antigrasa metálico puede desteñirse pero sus características de filtrado no cambian absolutamente.

Para desmontar el filtro antigrasa, tirar de la manija de desenganche de muelle.



### Mantenimiento del filtro al carbón

**Retiene los olores desagradables producidos por la cocción de alimentos.**

El filtro de carbón activado se satura después de un tiempo de uso, dependiendo del tipo de cocción de alimentos y la regularidad con que se limpia el filtro de grasa. En cualquier caso es necesario sustituir el cartucho al menos cada 4 meses (o cuando el sistema de indicación de saturación de los filtros - si está previsto en el modelo que se posee - indica esta necesidad).

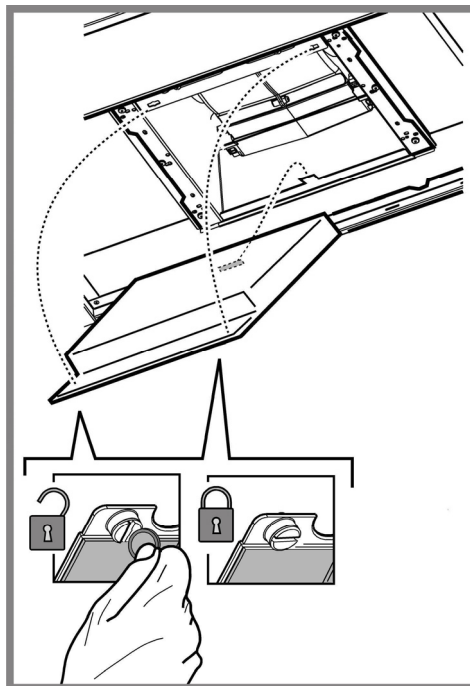
NO puede lavarse o reciclarse.

### Montaje

Enganchar el filtro de carbón activo primero, posteriormente sobre la pestaña metálica de la campana, y después en la parte anterior con las dos perillas.

### Desmontaje

Quitar el filtro de carbón activo girando 90° grados las perillas que lo fijan a la campana.



### Sustitución de la lámpara

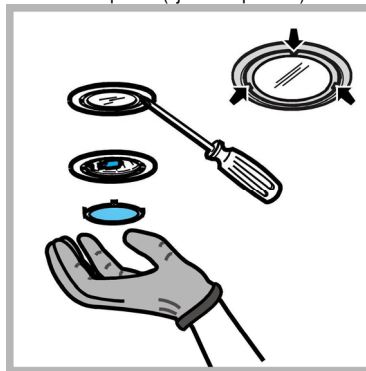
**AHGC 9.7F AB X - AHBS 6.7F AL X - AHBS 9.4 AM X  
AHBS 9.7F AL X - AHF 9.4F AM X - AHF 6.4F AM X  
AHC 9.7F ATI X - AHC 9.7F AB X**

Desconecte el aparato de la red eléctrica.

**Atención!** Antes de tocar las lámparas asegúrese de que estén frías.

Sustituir la lámpara dañada con una del mismo tipo como se especifica en la etiqueta correspondiente o en la campana cerca de la lámpara misma.

1. Extraer la protección haciendo palanca con un pequeño destornillador de boca plana o una herramienta similar.
2. Sustituir la lámpara dañada.  
Utilizar sólo lámparas halógenas de 12V -20W max - G4 (**Adecuada para su uso en luminaria abierta**) prestando atención en no tocarlas con las manos.
3. Cerrar el plafón (fijación a presión).



### AHBS 9.7F LTI X

La campana viene provista de un sistema de iluminación basado en la tecnología LED.

Los LEDs garantizan una óptima iluminación, una duración hasta 10 veces mayor de las lámparas tradicionales y permiten ahorrar el 90% de energía eléctrica.


Para la sustitución dirigirse al servicio asistencia técnica.

## ELIMINACIÓN

Este aparato lleva el marcado CE en conformidad con la Directiva 2012/19/EC del Parlamento Europeo y del Consejo sobre residuos de aparatos eléctricos y electrónicos (RAEE).

La correcta eliminación de este producto evita consecuencias negativas para el medioambiente y la salud.



El símbolo  en el producto o en los documentos que se incluyen con el producto, indica que no se puede tratar como residuo doméstico. Es necesario entregarlo en un punto de recogida para reciclar aparatos eléctricos y electrónicos.

Deséchelo con arreglo a las normas medioambientales para eliminación de residuos.

Para obtener información más detallada sobre el tratamiento, recuperación y reciclaje de este producto, póngase en contacto con su Municipalidad, con el servicio de eliminación de residuos urbanos o la tienda donde adquirió el producto.

Aparato diseñado, probado y fabricado de acuerdo con:

- Seguridad: EN/IEC 60335-1; EN/IEC 60335-2-31, EN/IEC 62233.
- Prestación: EN/IEC 61591; ISO 5167-1; ISO 5167-3; ISO 5168; EN/IEC 60704-1; EN/IEC 60704-2-13; EN/IEC 60704-3; ISO 3741; EN 50564; IEC 62301.
- EMC: EN 55014-1; CISPR 14-1; EN 55014-2; CISPR 14-2; EN/IEC 61000-3-2; EN/IEC 61000-3-3. Sugerencias para un uso correcto con el fin de reducir el impacto ambiental: Encienda la campana a la velocidad mínima cuando empiece a cocinar y mantenga en marcha durante unos minutos después de haber acabado de cocinar. Aumente la velocidad solo si se produjera una gran cantidad de humo y vapor y use la velocidad o velocidades turbo solo en situaciones extremas. Cambie el filtro o filtros de carbón cuando sea necesario para mantener un buen rendimiento en la reducción de los olores. Limpie el filtro o filtros de grasa cuando sea necesario para mantener un buen rendimiento del filtro de grasa. Utilice el diámetro máximo del sistema de conductos indicado en este manual, para optimizar el rendimiento y minimizar el ruido.









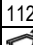







## ANOMALÍAS DE FUNCIONAMIENTO

Si alguna pieza parece no funcionar, realice los siguientes controles antes de llamar al Servicio de Asistencia:

- Si la campana no funciona:
  - Compruebe que:
    - no haya interrupciones de corriente.
    - se haya seleccionado una velocidad.
- Si la campana presenta un rendimiento escaso:
  - Compruebe que:
    - La velocidad del motor seleccionada es suficiente para la cantidad de humo y vapores emitida.
    - La cocina está suficientemente ventilada para permitir una toma de aire.
    - el filtro de carbón no está gastado (campana en versión filtrante).
- Si la campana se ha apagado durante el funcionamiento normal:
  - Compruebe que:
    - no haya interrupciones de corriente.
    - el dispositivo de interrupción omnipolar no se ha disparado.

En caso de eventuales anomalías en el funcionamiento, antes de dirigirse al servicio de asistencia, desconectar el aparato de la alimentación eléctrica, extrayendo el enchufe al menos durante 5 segundos, y después conectarlo nuevamente. Si la anomalía de funcionamiento no desaparece, dirigirse al servicio de asistencia.

## DATOS TÉCNICOS

Modelo	Altura (cm)	Ancho (cm)	Profundidad (cm)	Ø del tubo de salida (cm)
AHBS6.7FALX	 61,9 - 114  70,4 - 114	59,8	45	15-12,5-12
AHBS9.4FAMX AHBS9.7FALX	 61,9 - 114  70,4 - 114	89,8	45	15-12,5-12
AHF6.4FAMX	 60 - 112,5  68,5 - 112,5	59,8	45	15-12,5-12
AHF9.4FAMX	 60 - 112,5  68,5 - 112,5	89,8	45	15-12,5-12
AHGC9.7FABX	 62,3 - 114,8  70,8 - 114,8	89,8	45	15-12,5-12
AHBS9.7FLTIX	 60 - 112,5  68,5 - 112,5	89,8	45,5	15-12,5-12
AHC 9.7F ATI X	 66,5 - 109  75 - 115	89,8	50,5	15-12,5-12
AHC 9.7F AB X	 66,5 - 109  75 - 115	89,8	50	15-12,5-12

Ver la placa de las características para la absorción total y el absorbimiento de la lámpara.

AHGC 9.7F AB X - AHBS 6.7F AL X - AHBS 9.4 AM X  
AHBS 9.7F AL X - AHF 9.4F AM X - AHF 6.4F AM X  
AHC 9.7F ATI X - AHC 9.7F AB X

	Potencia (W)	Voltaje (V)	Casquillo	Dimensiones (mm)
Halógena	2 x 20W	12	G4	33xØ10

### AHBS 9.7F LTI X

La campana viene provista de un sistema de iluminación basado en la tecnología LED.

Para la sustitución dirigirse al servicio asistencia técnica .



Componentes no suministrados con el producto

## **SEGURANÇA GERAL**

Antes de fazer qualquer operação de limpeza ou de manutenção, deve-se desligar o exaustor da rede elétrica retirando a tomada ou desligando a alimentação da rede elétrica.

Usar sempre luvas de trabalho para todas as operações de instalação e manutenção.

Este aparelho pode ser usado por crianças a partir de 8 anos de idade e por pessoas com reduzidas capacidades físicas, sensoriais e mentais, ou falta de experiência e conhecimento, desde que sejam supervisionadas ou se tiverem recebido as necessárias instruções relativas ao uso em segurança do aparelho e que tenham conhecimento dos riscos envolvidos.

As crianças não devem ser autorizadas a manipular os comandos ou brincar com o aparelho.

A limpeza e a manutenção não devem ser feitas por crianças sem supervisão.

O local onde o aparelho será instalado, deve ser suficientemente ventilado, quando o exaustor for utilizado em conjunto a outros dispositivos de combustão de gás ou outros combustíveis.

O exaustor deve ser limpo regularmente, seja interna que externamente (PELO MENOS UMA VEZ POR MÊS), respeitando sobretudo o quanto expressamente indicado nas instruções de manutenção.

A inobservância das normas de limpeza do aparelho e da substituição e limpeza dos filtros comporta riscos de incêndio.

É severamente proibido colocar alimentos diretamente na chama, sob o exaustor.

O uso de chama livre causa danos aos filtros e pode originar incêndios, portanto, deve ser evitado em quaisquer circunstâncias.

Os alimentos fritos devem ser feitos sob controle, para evitar que o óleo sobreaqueça e se incendeie.

**CUIDADO:** Peças acessíveis do exaustor podem queimar quando utilizado com a placa de fogão.

Para a substituição da lâmpada, utilizar apenas o tipo de lâmpada indicado na secção de Manutenção/Substituição de lâmpadas deste manual.

**ATENÇÃO!** Não ligar o aparelho à rede elétrica até que a instalação esteja totalmente concluída.

Relativamente às medidas técnicas e de segurança a serem adotadas para a descarga de fumos, é importante respeitar rigorosamente os regulamentos fornecidos pelas autoridades locais.

O sistema de condutas desde aparelho não pode ser conectado a outro sistema de ventilação já existente que esteja sendo usado para qualquer outra finalidade, como descarga de fumos de aparelhos a gás ou outros combustíveis. Não utilizar ou deixar o exaustor sem lâmpadas corretamente montadas, devido ao possível risco de choques elétricos.

Nunca utilizar o exaustor sem as grades montadas corretamente.

O exaustor NUNCA deve ser utilizado como uma superfície de apoio, a menos que não seja especificamente indicado.

Usar somente os parafusos de fixação fornecidos com o aparelho, para a

instalação, ou, se não for fornecido, comprar o tipo de parafuso correto.

Usar o comprimento correto para os parafusos que são identificados no Guia de Instalação.

Em caso de dúvida, consultar um centro de assistência autorizado ou pessoa qualificada similar.

**ATENÇÃO!** A falta de instalação de parafusos ou dispositivos de fixação em conformidade com estas instruções, pode resultar em riscos elétricos.

**O exaustor pode ter estéticas diferentes a quanto ilustrado neste livrete, todavia as instruções de uso, manutenção e instalação permanecem as mesmas.**

**Siga especificamente as instruções indicadas neste manual.** Declina-se qualquer responsabilidade por eventuais inconvenientes, danos ou incêndios provocados ao aparelho, derivantes da inobservância das instruções indicadas neste manual. O exaustor foi concebido para a aspiração de fumos e vapores de cozimento e é destinado exclusivamente para uso doméstico.

! É importante conservar este manual para eventuais consultas futuras.

Em caso de venda ou mudança, certificar-se que o manual acompanhe o produto.

! Ler cuidadosamente as instruções: elas apresentam importantes informações sobre a instalação, uso e segurança.

! Não efetuar variações elétricas ou mecânicas no produto ou nos tubos de fuga.

! Antes de prosseguir com a instalação do dispositivo, verificar todos os componentes que não sejam danificados. Caso contrário, contatar o seu fornecedor e não prosseguir com a instalação.

A distância mínima entre a superfície de suporte dos recipientes sobre o fogão e a parte mais baixa do exaustor não deve ser inferior a 50cm no caso de fogões elétricos e 65cm no caso de fogões à gás ou combinados.

Se as instruções de instalação do fogão à gás especificarem uma distância maior, deve-se levar em conta esta indicação.

## CONEXÃO ELÉTRICA

A voltagem da rede elétrica deve corresponder com a voltagem indicada na etiqueta das características, situada no interior do exaustor. Se dotado de ficha, conectar o exaustor a uma tomada em conformidade com as normas vigentes posta em zona acessível, mesmo depois da instalação. Se não dotada de ficha (conexão direta à rede) ou a tomada não se encontra em zona acessível, mesmo depois da instalação, aplicar um interruptor bipolar, em conformidade com a norma que assegure a desconexão completa da rede nas condições da categoria de sobretensão III, conformemente às regras de instalação.

**Atenção!** Antes de conectar novamente o circuito do exaustor com a alimentação elétrica, verificar seu funcionamento, atentar sempre para que o cabo de rede esteja montado corretamente.

### Substituição do cabo de alimentação

O exaustor está equipado com um cabo de alimentação especial; no caso do cabo ficar danificado, efetuar um pedido ao serviço de assistência técnica.

## SAÍDA DO AR

(para as versões aspirantes)

Conectar o exaustor aos tubos e orifícios de descarga da parede com diâmetro equivalente a saída de ar (falange de união).

O uso de tubos ou orifícios de descarga de parede com diâmetro inferior, pode provocar a diminuição da performance de aspiração e um drástico aumento do ruído.

Não nos responsabilizamos a este respeito.

- ! Utilizar um tubo condutor com o comprimento não inferior ao indicado.
- ! Utilizar um tubo condutor com o menor número possível de curvas (ângulo máximo da curva: 90°/90°).
- ! Evitar alterações drásticas da seção do tubo (diâmetro).
- ! Caso estas normas não sejam respeitadas a empresa declina qualquer responsabilidade.

## FILTRANTE OU ASPIRANTE ?

- ! O seu exaustor está pronto para ser utilizado na versão aspirante. Para utilizar o exaustor na versão filtrante deve ser instalado um KIT ACESSÓRIO apropriado. Verifique nas primeiras páginas deste manual se o KIT ACESSÓRIO já vem fornecido ou se deve ser comprado separadamente.  
**Nota:** Se for fornecido com o equipamento, em alguns casos, o sistema de filtragem adjunta à base de carvão activo pode já estar instalado no exaustor.  
As informações para a transformação do exaustor da versão aspirante à versão filtrante já estão contidas neste manual.



### Versão aspirante

Os vapores são evacuados para o exterior, por meio de um tubo de descarga fixado à flange de conexão que se encontra sobre o exaustor.

O diâmetro do tubo de descarga deve ser equivalente ao diâmetro do anel de conexão.

Se o exaustor for dotado de filtros de carvão ativo, estes deverão ser retirados.



### Versão filtrante

O ar aspirado será desengordurado e desodorizado antes de ser recanalizado de volta para o ambiente.

Para usar o exaustor nesta versão é necessário instalar um sistema de filtragem adicional a base de carvão ativado.

## COMANDOS

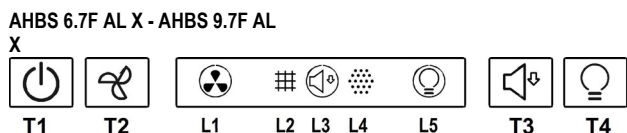
O exaustor é dotado de um painel de comandos com um controlo de velocidade de aspiração e um controlo para acender a luz de iluminação do plano de cozedura.

### Modelos com comandos mecânicos



- T1. Interruptor luz ON/OFF.
- T2. Interruptor OFF/velocidade 1
- T3. Selecção velocidade 2
- T4. Selecção velocidade 3

### Modelos com comandos Soft Button + Display LCD



- T1. Tecla ON/OFF motor de aspiração
- T2. Tecla de selecção da velocidade (potência) de aspiração: média, alta e intensiva.  
**Nota:** A velocidade (potência) de aspiração intensiva (LED L1 piscando) ha uma duração de aproximadamente 5 minutos, após isso, passa automaticamente para a velocidade (potência) de aspiração média.
- T3. Tecla de selecção da velocidade (potência) de aspiração “silenciosa”
- T4. Tecla ON/OFF iluminação
- L1. Icone do estado da velocidade (potência) de aspiração
- L2. Icone do estado do indicador de saturação do filtro de gordura
- L3. Icone do estado da velocidade (potência) de aspiração baixa (silenciosa)
- L4. Icone do estado do indicador de saturação do filtro de carvão
- L5. Icone do estado da iluminação

#### Reset do indicador de saturação dos filtros

Após haver efetuado a manutenção do filtro, pressionar prolongadamente a tecla T3, o ícone que indica a saturação do filtro se desligará. Repetir a operação caso ambos os ícones indicadores de saturação (gordura e carvão) sejam acesas.

#### Ativação do ícone de saturação do filtro de carvão

O ícone de saturação do filtro de carvão está normalmente desativado. Para ativá-lo, proceder da seguinte maneira:

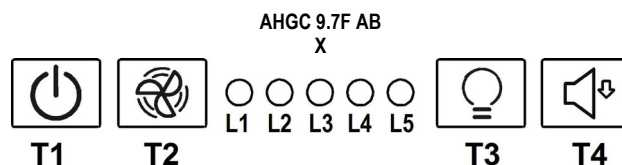
Com o exaustor desligado, pressionar durante um longo tempo e contemporaneamente as teclas T1 e T3: a L4 primeiro irá piscar, depois se acenderá com luz fixa, para indicar a ativação bem sucedida.

**Desativação do ícone de saturação do filtro de carvão:** repetir a operação acima indicada, a tecla L4 irá acender com luz fixa, depois irá piscar por breve tempo, antes de se apagar, para indicar a desativação bem sucedida.

#### Funcionamento automático em presença de temperatura elevada

O exaustor está equipado com um sensor que detecta a temperatura. Quando ela se torna demasiadamente elevada, o sensor liga automaticamente a velocidade (potência) de aspiração média. O exaustor se desligará quando a temperatura detectada pelo sensor for reduzida significativamente.

### Modelos com comandos Soft Button + Silent Speed



- T1. Tecla ON/OFF motor de aspiração
- T2. Tecla de selecção da velocidade (potência) de aspiração  
**Nota:** A velocidade (potência) de aspiração intensiva (LED L3 piscando) ha uma duração de aproximadamente 5 minutos, após isso, passa automaticamente para a velocidade (potência) de aspiração média (LED L2 aceso).
- T3. Tecla ON/OFF iluminação
- T4. Tecla de selecção da velocidade (potência) de aspiração “silenciosa”
- L1. LED velocidade (potência) de aspiração média
- L2. LED velocidade (potência) de aspiração alta
- L3. LED velocidade (potência) de aspiração intensiva - temporizada (5 min.).
- L4. LED de saturação dos filtros:  
**piscando:** efetuar a manutenção do filtro de carvão.  
**Aceso fixo:** efetuar a manutenção dos filtros de gordura.
- L5. LED velocidade (potência) de aspiração baixa (silenciosa)

L1+L2+L3 intermitentes em sequências: funcionamento automático em presença de elevada temperatura (ver parágrafo relativo)

#### Reset de saturação dos filtros

Após haver efetuado a manutenção dos filtros, pressionar prolongadamente a tecla T1, o LED L4 se desligará.

#### Ativação do LED de saturação do filtro de carvão

O LED de saturação do filtro de carvão está normalmente desativado. Para ativá-lo, proceder da seguinte maneira:

Com o exaustor desligado, pressionar durante um longo tempo e contemporaneamente as teclas T1 e T4: primeiro irá piscar a L1, depois também a L2 para indicar a ativação bem sucedida.

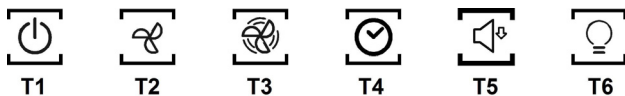
**Desativação do LED de saturação do filtro de carvão:** repetir a operação acima indicada, primeiro piscarão L1 e L2, depois só a L1 para indicar a desativação bem sucedida.

#### Funcionamento automático em presença de temperatura elevada

O exaustor está equipado com um sensor que detecta a temperatura. Quando ela se torna demasiadamente elevada, o sensor liga automaticamente a velocidade (potência) de aspiração média. O exaustor se desligará quando a temperatura detectada pelo sensor for reduzida significativamente.

## Modelo com teclado SOFT-TOUCH

### AHBS 9.7F LTI X - AHC 9.7F ATI X



Para selecionar as funções do exaustor, basta tocar delicadamente as teclas de comandos:

#### T1. Tecla ON/OFF motor de aspiração

#### T2. Tecla de seleção de velocidade (potência) de aspiração média

#### T3. Tecla de seleção de velocidade (potência) de aspiração alta e intensiva

Pressionar uma vez para selecionar a velocidade (potência) de aspiração alta (LED L3 estático);

Pressionar novamente para selecionar a velocidade (potência) de aspiração intensiva (LED L3 intermitente).

**Nota:** A velocidade (potência) de aspiração intensiva há uma duração de cerca de 5 minutos, depois passa automaticamente para a velocidade (potência) de aspiração alta.

#### T4. Tecla de desligamento automático (Timer) e indicador de saturação do filtro de carvão:

##### Desligamento automático:

Pressionar esta tecla para configurar o desligamento automático da velocidade (potência) ativa:

Velocidade (potência) de aspiração silenciosa: **10 minutos**

Velocidade (potência) de aspiração média: **20 minutos**

Velocidade (potência) de aspiração alta: **15 minutos**

##### Indicador de saturação do filtro de carvão

Quando estiver piscando, efetuar a manutenção do **filtro de carvão** (caso seja instalado); depois, pressionar prolongadamente a tecla T6 para cessar a intermitência.

#### T5. Tecla de seleção da velocidade (potência) de aspiração “silenciosa” e indicador de saturação do filtro de gordura

**Nota:** quando piscar, efetuar a manutenção do **filtro de gordura**; depois, pressionar prolongadamente a tecla T6 para cessar a intermitência.

#### T6. Tecla ON/OFF iluminação

**T3+T4+T5 intermitentes:** funcionamento automático em presença de temperatura elevada (veja parágrafo relativo)

##### Ativação do indicador de saturação do filtro de carvão

Este indicador, normalmente, está desativado. Para ativá-lo, proceder da seguinte forma:

Com o exaustor desligado, pressionar e manter pressionadas as teclas T4 e T5 prolongada e contemporaneamente: a tecla T5 iniciará a piscar e em seguida a T4 para indicar a ativação bem sucedida.

**Desativação do LED de saturação do filtro de carvão:** repetir a operação acima indicada, as teclas T5 e T4 iniciarão a piscar e, em seguida, somente a T5 para indicar a desativação bem sucedida.

#### Funcionamento automático em presença de temperatura elevada

O exaustor é dotado de um sensor que releva a temperatura. Quando esta se torna demasiadamente elevada, o sensor ativa automaticamente a velocidade (potência) de aspiração média. O exaustor desliga-se automaticamente assim que a temperatura, relevada pelo sensor, se abaixe sensivelmente.

## MANUTENÇÃO

### Limpeza

Para a limpeza, utilizar um pano humedecido com detergentes líquidos neutros. Evitar o uso de produtos contendo abrasivos. **NÃO UTILIZE ÁLCOOL!**

### Painel perimetral de aspiração

Limpar o painel perimetral de aspiração com a mesma frequência do filtro anti-gordura, usar um pano e um detergente líquido não muito concentrado. Nunca utilizar substâncias abrasivas.

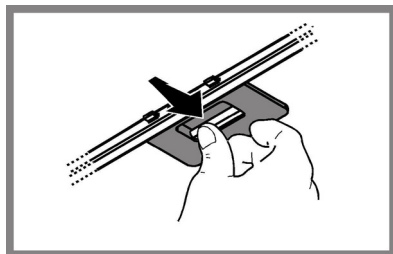
### Manutenção dos filtros anti-gordura

#### Capta as partículas de gordura provenientes do cozimento.

O Filtro de gordura deve ser limpo uma vez por mês (ou quando o sistema de indicação da saturação dos filtros - se previsto no modelo adquirido - indicar esta necessidade), com detergentes não agressivos. O filtro pode ser lavado manualmente ou em máquina de lavar louça a baixas temperaturas e com ciclo breve.

O filtro metálico para a gordura pode perder cor com as lavagens na máquina da louça, mas suas características de filtração não se alteram.

Para desmontar o filtro antigordura puxe o puxador de libertação com mola.



### Manutenção do filtro a carvão

**Retêm os odores desagradáveis produzidos durante a preparação de alimentos.**

A saturação do filtro de carvão activado se verifica após um uso mais ou menos prolongado em função do tipo de cozinha e da regularidade da limpeza do filtro de gorduras. Em todo caso, é necessário substituir o cartucho no máximo cada 4 meses (ou quando o sistema de indicação da saturação dos filtros - se previsto no modelo que se possui - indicar esta necessidade).

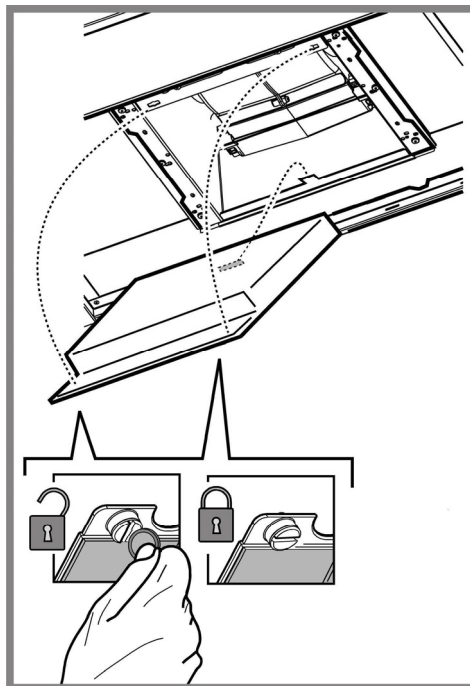
**NÃO** pode ser lavado ou regenerado.

#### Montagem:

Aganche o filtro de carvão ativo, primeiro na parte de trás da lingueta metálica do exaustor e depois na parte dianteira com os dois botões.

#### Desmontagem:

Remova o filtro de carvão ativo rodando de 90° os botões que o fixa ao exaustor.



### Substituição das lâmpadas

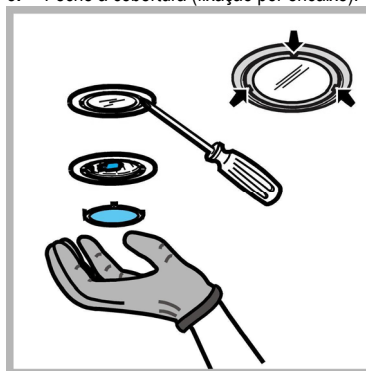
AHGC 9.7F AB X - AHBS 6.7F AL X - AHBS 9.4 AM X  
AHBS 9.7F AL X - AHF 9.4F AM X - AHF 6.4F AM X  
AHC 9.7F ATI X - AHC 9.7F AB X

Desligar o aparelho da rede elétrica;

**Atenção!** Antes de tocar as lâmpadas, certificar-se que estejam frias.

Substituir a lâmpada queimada com outra do mesmo tipo, conforme especificado na etiqueta de características ou perto da própria lâmpada no exaustor.

1. Extraia a proteção usando uma pequena chave de parafuso ou ferramenta semelhante como alavanca.
2. Substitua a lâmpada queimada.  
Utilize exclusivamente lâmpadas de halogéneo de 12V - 20W max - G4, tomar cuidado para não as tocar com as mãos.
3. Feche a cobertura (fixação por encaixe).



### AHBS 9.7F LTI X

O exaustor é dotado de um sistema de iluminação baseada na tecnologia LED. Os LED garantem uma iluminação melhor e uma duração de até 10 vezes maior que as lâmpadas tradicionais e economizam 90% de energia elétrica.

Para a substituição, contatar o serviço de assistência técnica.



## ELIMINAÇÃO

Este aparelho está classificado de acordo com a Diretiva Europeia 2012/19/EC sobre Resíduos de equipamento elétrico e eletrónico (REEE).

Ao garantir a eliminação adequada deste produto, estará a ajudar a evitar potenciais consequências negativas para o ambiente e para a saúde pública, que poderiam derivar de um manuseamento de dispersão inadequada deste produto.



O símbolo no produto ou nos documentos que acompanham o produto, indica que este aparelho não pode receber um tratamento semelhante ao de uma dispersão doméstica.

Pelo contrário, deverá ser depositado no respectivo centro de recolha para a reciclagem de equipamento elétrico e eletrónico.

A eliminação deverá ser efetuada em conformidade com as normas ambientais locais para a eliminação de desperdícios.

Para obter informações mais detalhadas sobre o tratamento, a recuperação e a reciclagem deste produto, contate o Departamento na sua localidade, o seu serviço de eliminação de desperdícios domésticos ou a loja onde adquiriu o produto.

Aparelho projetado, testado e fabricado de acordo com:

- Segurança: EN/IEC 60335-1; EN/IEC 60335-2-31, EN/IEC 62233.
- Desempenho: EN/IEC 61591; ISO 5167-1; ISO 5167-3; ISO 5168; EN/IEC 60704-1; EN/IEC 60704-2-13; EN/IEC 60704-3; ISO 3741; EN 50564; IEC 62301.
- EMC: EN 55014-1; CISPR 14-1; EN 55014-2; CISPR 14-2; EN/IEC 61000-3-2; EN/IEC 61000-3-3. Sugestões para uma utilização correta, de modo a reduzir o impacto ambiental: LIGUE o exaustor na velocidade mínima quando começar a cozinhar e mantenha-o em função por mais alguns minutos após ter terminado. Aumente a velocidade somente em caso de muita fumaça ou vapor e use as velocidades altas somente em situações extremas. Substitua o(s) filtro(s) a carvão quando necessário, para manter uma boa eficiência na redução dos odores. Limpe o(s) filtro(s) de gordura quando necessário para manter uma boa eficiência. Use o diâmetro máximo do sistema de condutas indicado neste manual para otimizar a eficiência e minimizar o ruído.

## ANOMALIAS DE FUNCIONAMENTO

Se algo parece não funcionar, antes de contactar o Serviço de Assistência efectuar seguintes controlos simples:

- Se o exaustor não funcionar:  
Verificar que:
  - não há interrupção de corrente.
  - foi seleccionada uma velocidade.
- Se o exaustor tiver uma performance fraca:  
Verificar que:
  - A velocidade do motor seleccionada é suficiente para a quantidade de fumo e vapores libertada.
  - O fogão é suficientemente arejado para permitir uma tomada de ar.
  - O filtro de carvão não está gasto (exaustor em versão filtrante).
- Se o exaustor desligar durante o funcionamento normal:  
Verificar que:
  - não há interrupção de corrente.
  - o dispositivo de corte omnipolar não disparou.

Se o exaustor não funcionar correctamente, retirar a ficha para desligá-lo por um breve período da rede eléctrica principal (pelo menos 5 seg.). Em seguida colocar novamente a ficha e experimentar mais uma vez antes de contactar o Serviço de assistência técnica. Se o problema de funcionamento persistir, contacte o serviço de assistência.

## DADOS TÉCNICOS

Modelo	Altura (cm)	Largura (cm)	Profundidade (cm)	Ø do tubo de descarga (cm)
AHBS6.7FALX	61,9 - 114 70,4 - 114	59,8	45	15-12,5-12
AHBS9.4FAMX AHBS9.7FALX	61,9 - 114 70,4 - 114	89,8	45	15-12,5-12
AHF6.4FAMX	60 - 112,5 68,5 - 112,5	59,8	45	15-12,5-12
AHF9.4FAMX	60 - 112,5 68,5 - 112,5	89,8	45	15-12,5-12
AHGC9.7FABX	62,3 - 114,8 70,8 - 114,8	89,8	45	15-12,5-12
AHBS9.7FLTIX	60 - 112,5 68,5 - 112,5	89,8	45,5	15-12,5-12
AHC 9.7F ATI X	66,5 - 109 75 - 115	89,8	50,5	15-12,5-12
AHC 9.7F AB X	66,5 - 109 75 - 115	89,8	50	15-12,5-12

Ver na placa de dados a absorção total e a absorção da lâmpada.

**AHGC 9.7F AB X - AHBS 6.7F AL X - AHBS 9.4 AM X  
AHBS 9.7F AL X - AHF 9.4F AM X - AHF 6.4F AM X  
AHC 9.7F ATI X - AHC 9.7F AB X**

	Potência (W)	Tensão (V)	Engate	Medidas (mm)
Halogénea	2 x 20W	12	G4	33xØ10

**AHBS 9.7F LTI X**

O exaustor é dotado de um sistema de iluminação baseada na tecnologia LED. Para a substituição, contactar o serviço de assistência técnica.



Componentes não fornecidas com o produto.



## ⚠️ السلامة العامة

- ! من الهام الحفاظ على جميع الكتيبات المرفقة مع المنتج لتيسير الرجوع إليها في جميع الأوقات. عند بيع أو انتقال ملكية الجهاز أو نقله إلى مكان آخر، يجب التحقق من إرفاق هذا الدليل مع المنتج.
- ! اقرأ التعليمات بحرص: فهي تحتوي على معلومات هامة عن التركيب ومعلومات للمستخدم حول السلامة.
- ! لا تقم بالعبث بالمعدات الكهربائية أو الميكانيكية المكونة للمنتج، أو أي من أنابيب العادم الملحقة به.
- ! تحقق من سلامة شفاط المطبخ قبل البدء في تركيبه. خلاف ذلك، يرجى التوقف عن مواصلة التركيب والاتصال بالبائع.

لا يجب أن تقل المسافة الفاصلة بين سطح الطهي، بل عن دعائم أواني الطهي بأعلى جهاز الطهي، وأذن جزء من شفاط المطبخ، عن 50 سم بالنسبة لأجهزة الطهي الكهربائية و 65 سم بالنسبة لأجهزة الطهي بالغاز أو بهما معا. إذا ما كان دليل تعليمات التركيب الخاص بجهاز الطهي الذي يعمل بالغاز يحدد مسافة أكبر، فإن هذه المسافة فيجب أن تؤخذ في الاعتبار.

### التوصيلات الكهربائية

يجب أن يكون الجهد الكهربائي لمصدر التيار الرئيسي مطابقاً للقيمة المشار إليها في لوحة البيانات الموجودة بداخل شفاط المطبخ نفسه. في حالة توفر شفاط المطبخ على قابس للكهرباء، قم بتوصيل شفاط المطبخ بمقبس كهربائي متوافق يسهل الوصول إليه. أما في حالة عدم توفر قابس للكهرباء (توصيل مباشر للتيار)، أو إذا كان من الصعب الوصول إلى المقبس الكهربائي حتى بعد التركيب،، فيجب تركيب مفتاح كهربائي متوافق ثنائي القطب، لضمان فصله تماماً عن المصدر الرئيسي للتيار في حالة حدوث جهد كهربائي زائد من الفئة الثالثة، وذلك وفقاً للوائح التركيب.

**تحذير!** قبل إعادة توصيل شفاط المطبخ بالمصدر الرئيسي للتيار، تحقق دائماً من أن كابل التيار الرئيسي متصل بشكل سليم وتأكد من أنه يعمل بشكل صحيح.

### استبدال كابل التغذية الكهربائية

يتوفر شفاط المطبخ على كابل تغذية كهربائي خاص، في حالة إصابته بأضرار يرجى طلب استبداله من خدمة الدعم والمساعدة الفنية.

### تفريغ الهواء

- (للإصدارات العاملة بالشفط)
- قم بتوصيل شفاط المطبخ بأنبوب وفتحة تصريف حائطية، يساوي قطرها قطر مخرج الهواء (فلاشة الربط).
- استخدام أنابيب وفتحات تصريف على الجدار ذات قطر أصغر يسبب في انخفاض أداء الشفط وزيادة كبيرة في الضوضاء.
- لا تتحمل جهة التصنيع أية مسؤولية تجاه أية نتائج تترتب على ذلك.
- ! استخدم أقصر أنبوب ممكن لتحقيق هذا الغرض.
- ! استخدم أنبوب به أقل قدر ممكن من المنعرجات (الحد الأقصى لزاوية الانعراج: 90°).
- ! تجنب التغيير المفاجئ لقطر الأنبوب.
- ! لا يتحمل المصنع أية مسؤولية تجاه النتائج المترتبة على عدم التقيد بهذه التعليمات.

قبل تنظيف الوحدة أو صيانتها، قم بفضها عن مصدر الطاقة الرئيسي عن طريق إزالة قابس التيار، أو عن طريق فصل الوحدة عن قاطع التيار. يجب دائماً ارتداء قفازات العمل عند تركيب الوحدة أو عند صيانتها. لا يسمح باستخدام هذا الجهاز للأطفال الذين تقل أعمارهم عن 8 سنوات، من قبل الأشخاص من ذوي القدرات الجسدية أو العقلية المحدودة أو الذين يفتقرون إلى الخبرة في استخدام الأجهزة الكهربائية إلا في حال الإشراف عليهم وإرشادهم من قبل أشخاص بالغين مسؤولين عن سلامتهم. لا يجب السماح للأطفال باللعب بالجهاز. لا ينبغي السماح للأطفال بتنظيف أو صيانة الجهاز دون مراقبة. يجب أن تكون الغرفة جيدة التهوية إذا تم استخدام شفاط الهواء في نفس الوقت مع معدات أخرى تعمل باحتراق الغاز أو غيره من أنواع الوقود. يجب تنظيف الشفاط من وقت لآخر، من الداخل والخارج (مرة واحدة في الشهر على الأقل)، وعلى أي حال اتباع التعليمات المشار إليها صراحة في تعليمات الصيانة. إن التقصير في الالتزام بتنظيف شفاط المطبخ، واستبدال الفلاتر، قد يؤدي لنشوب حريق.

يمنع منعاً باتاً طهي الطعام باستخدام لهب حر تحت شفاط المطبخ. يؤدي استعمال اللهب الحر إلى إتلاف الفلاتر وقد يسبب في نشوب حريق. ولهذا يمنع استعماله في جميع الأحوال. ينبغي اخذ الحيطه والحذر أثناء القلي والإشراف عليها تفادياً لارتفاع درجة حرارة الزيت ونشوب حريق. تحذير: عند استخدام سطح الطهي قد ترتفع حرارة بعض أجزاء شفاط المطبخ.

لاستبدال المصباح استخدم فقط النوع المشار إليه في قسم الصيانة / استبدال المصباح من هذا الكتيب.

**تحذير!** لا تقم بتوصيل التيار الكهربائي قبل الانتهاء تماماً من عملية التركيب. يجب أن تلتزم حريفاً بكل اللوائح المحلية المتبعة والمتعلقة بالمعايير الفنية، ويجب اتباع احتياطات السلامة الخاصة بتصريف الأدخنة. يجب عدم توجيه الهواء المطرود (هواء الشطف) في أنبوب معد لتصريف أدخنة الاحتراق من معدات أخرى تعمل بالغاز أو باحتراق الوقود. لا تستخدم شفاط الهواء دون تركيب المصايح الخاصة به بشكل صحيح، وإلا فقد تكون عرضة لخطر الصعق الكهربائي.

لا تستخدم شفاط الهواء دون تركيب الشبكة وتثبيتها بشكل صحيح! لا تستخدم شفاط الهواء مطلقاً كدعامة، ما لم تشر التعليمات إلى ذلك. استخدم فقط المسامير والبراغي المرفقة مع المنتج للتثبيت، وفي حالة عدم وجودها ضمن المرفقات، يرجى اقتناء براغي ومسامير من النوع الصحيح. يجب استخدام براغي ومسامير ذات طول صحيح منصوص عليها في دليل التركيب. إذا راودكم شك بشأنها، فيرجى الاتصال بأقرب مركز خدمة معتمد أو فني مؤهل.

تحذير! قد يؤدي عدم تركيب المسامير ومعدات التثبيت وفقاً لهذه التعليمات إلى مخاطر كهربائية.

**قد يختلف شكل شفاط المطبخ عن الرسومات الواردة في هذا الكتيب، لكن تعليمات الاستخدام والصيانة والتركيب هي نفسها.**

يرجى اتباع تعليمات الصيانة المنصوص عليها في هذا الدليل. لن تتحمل الجهة المصنعة أية مسؤولية عن أية مشكلة أو ضرر أو حرائق تنشأ عن الوحدة كنتيجة للتقصير في الالتزام بالتعليمات الواردة في هذا الدليل. صمم شفاط المطبخ لشفط أدخنة وأبخرة الطهي، وموجه للاستخدام المنزلي فقط.

## فلتر أو شفط؟

! شفاط مطبخكم جاهز للاستعمال كإصدار عامل بالشفط. إذا أردت استخدامها كوحدة فلتر، يجب أن تقوم أولاً بتركيب طقم الملحقات المناسب. تحقق في الصفحات الأولى من هذا الكتيب عما إذا كان طقم الملحقات ضمن المرفقات أو ينبغي اقتناؤه على حدة. **ملاحظة:** إذا كانت وحدة فلتر الكربون النشط ملحقة مع شفاط المطبخ، فقد تكون مركبة بالفعل. إن التعليمات الخاصة بتحويل شفاط المطبخ من موديل عامل بالشفط إلى موديل الفلتر، واردة في هذه الدليل.

## موديل الأنبوب

يتم إلقاء الأبخرة إلى الخارج عن طريق أنبوب العادم مثبت على فلانشة وصل. يجب أن يكون قطر أنبوب العادم مساوياً لقطر فلانشة منفذ الهواء. **تحذير!** أنبوب العادم غير مرفق بالجهاز، ويجب شراؤه على حدة. في حالة توفر شفاط المطبخ على فلانتر الكربون فيجب إزالتها.

## إصدار عامل بالفلتر

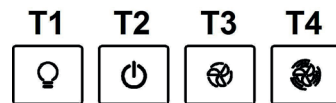
يقوم بتنقية الهواء المشفوط وإزالة الدهون التي يحتوي عليها وتعطيرها قبل إعادتها مرة أخرى إلى الغرفة. يتطلب هذا الإصدار من شفاط المطبخ تركيب نظام إضافي يعمل بفلتر الكربون النشط.

## أوامر التحكم

يتوفر شفاط المطبخ على لوحة أوامر للتحكم في سرعة الشفط وإشعال الضوء لإنارة فرن الطهي.

## الموديلات ذات لوحة المفاتيح الميكانيكية

AHBS 9.4F AM X - AHF 9.4F AM X - AHF 6.4F AM X



T1. مفتاح الإنارة ON/OFF (تشغيل/إيقاف).

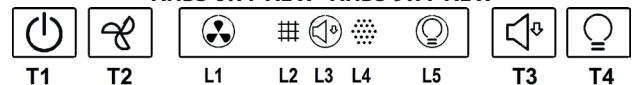
T2. مفتاح إيقاف /OFF السرعة 1

T3. اختيار السرعة 2

T4. اختيار السرعة 3

## الموديلات ذات لوحة المفاتيح Soft Button + شاشة LCD

AHBS 6.7F AL X - AHBS 9.7F AL X



T1. زر ON/OFF (تشغيل/إيقاف) محرك الشفط

T2. زر اختيار سرعة شفط التشغيل المتوسط، العالية والقوية.

**ملاحظة:** تدوم مدة سرعة (قدرة) الشفط القوية (لمبة LED - L1 مومضة) 5 دقائق تقريباً، يتم بعدها ضبط سرعة (قدرة) الشفط المتوسطة تلقائياً.

T3. زر اختيار سرعة (قدرة) الشفط «الصامت»

T4. زر الإنارة ON/OFF (تشغيل/إيقاف)

L1. أيقونة حالة سرعات (قدرات) الشفط

L2. أيقونة حالة مؤشر تشبع فلتر الدهون

L3. أيقونة حالة سرعة (قدرة) الشفط المنخفضة (صامتة)

L4. أيقونة حالة مؤشر تشبع فلتر الكربون

L5. أيقونة حالة الإضاءة

## إعادة ضبط مؤشر تشبع الفلاتر

بعد صيانة الفلتر اضغط طويلاً على الزر T3، لإطفاء الأيقونة المشيرة إلى تشبع الفلاتر. كرر العملية في حالة إضاءة أيقونتي التشبع (الدهون والكربون).

## تنشيط أيقونة تشبع فلتر الكربون

عادة تكون أيقونة تشبع فلتر الكربون غير نشطة. لتنشيطه، اتبع الخطوات التالية:

عندما يكون شفاط المطبخ مُطفئاً، اضغط باستمرار، وفي أن واحد على T1 و T3: يومض L4 أولاً ثم يضيء بشكل ثابت للإشارة نجاح التنشيط.

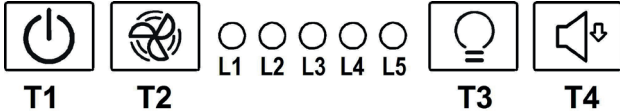
**إبطال أيقونة تشبع فلتر الكربون:** كرر العملية المذكورة أعلاه، يضيء L4 أولاً ثم بشكل ثابت ثم يومض إلى غاية التوقف للإشارة إلى إلغاء التنشيط.

## تشغيل تلقائي عند ارتفاع درجة الحرارة

يتوفر شفاط المطبخ على مجس استشعار الحرارة. وعند ارتفاع درجة الحرارة يقوم المجس بتشغيل سرعة (قدرة) الشفط المتوسطة تلقائياً. ويتوقف الشفاط بمجرد استشعار المجس لانخفاض درجة الحرارة على نحو ملحوظ.

## الموديلات ذات لوحة أزرار Soft Button + Silent Speed

AHGC 9.7F AB X - AHC 9.7F AB X



T1. زر ON/OFF (تشغيل/إيقاف) محرك الشفط

T2. زر اختيار سرعة (قدرة) شفط التشغيل

**ملاحظة:** تدوم سرعة (قدرة) الشفط القوية (لمبة LED - L3 مومضة)

مدة 5 دقائق تقريباً، يتم بعدها ضبط سرعة (قدرة) الشفط

المتوسطة تلقائياً (لمبة LED - L2 مُضيئة)

T3. زر الإنارة ON/OFF (تشغيل/إيقاف)

T4. زر اختيار سرعة (قدرة) الشفط «الصامت»

L1. لمبة LED سرعة (قدرة) الشفط المتوسطة

L2. لمبة LED سرعة (قدرة) الشفط العالية

سرعة (قدرة) الشفط متوسطة: 20 دقيقة

سرعة (قدرة) الشفط عالية: 15 دقيقة

### مؤشر تشبّع فلتر الكربون

إذا بدأ المؤشر في الوميض، يجب إجراء الصيانة لفلتر الكربون، هذا إن كان مثبتاً؛ ثم اضغط بعدها مطولاً على الزر T6 لإيقاف الوميض.

T5. زر اختيار سرعة (قدرة) الشفط «الصامت» ومؤشر تشبّع فلتر

### الدهون

ملاحظة: إذا بدأ المؤشر في الوميض، يجب إجراء الصيانة لفلتر

الدهون؛ ثم اضغط بعدها مطولاً على الزر T6 لإيقاف الوميض.

T6. زر الإنارة ON/OFF (تشغيل/إيقاف)

T3+T4+T5 مومضة: تشغيل تلقائي عند ارتفاع درجة الحرارة (انظر

الفقرة ذات الصلة)

### تنشيط مؤشر تشبّع فلتر الكربون

عادة ما يكون هذا المؤشر غير نشط. لتنشيطه، اتّبِع الخطوات التالية:

عندما يكون شفاط المطبخ مُطفئاً، اضغط باستمرار، وفي أن واحد على T4 و T5: يومض في الأول T5 ثم يليه T4 للإشارة إلى نجاح التنشيط.

إلغاء تنشيط لمبة LED تشبّع فلتر الكربون: كرر العملية المذكورة أعلاه، يومض في الأول T5 و T4 ثم T5 فقط للإشارة إلى إلغاء التنشيط.

### تشغيل تلقائي عند ارتفاع درجة الحرارة

يتوفر شفاط المطبخ على مجس استشعار الحرارة. وعند ارتفاع درجة الحرارة يقوم المجس بتشغيل سرعة (قدرة) الشفط المتوسطة تلقائياً. ويتوقف الشفاط بمجرد استشعار المجس لانخفاض درجة الحرارة على نحو ملحوظ.

## الصيانة

### التنظيف

لتنظيف الجهاز استخدم فقط قطعة قماش مبللة بالماء والمنظفات السائلة المحايدة. لا تستخدم أي أدوات أو معدات لتنظيف الجهاز! لا تستخدم المنتجات الكاشطة. لا تستخدم الكحول!

### لوحة الشفط المحيطي

يجب تنظيف لوحة الشفط المحيطي بنفس وتيرة تنظيف فلتر الدهون، باستعمال قطعة قماش مبللة ومنظف سائل قليل التركيز. لا تستخدم أبداً مواد كاشطة.

### صيانة فلتر الدهون

يقوم فلتر الدهون بالتقاط وامتصاص رواسب الدهون المتصاعدة أثناء الطهي.

ويجب تنظيفه مرة واحدة على الأقل في الشهر (أو عندما يشير مؤشر تشبّع الفلاتر إلى ضرورة تنظيفه - إذا كان الموديل يتوفر على هذه الميزة -)، باستخدام منظف غير كاشط، سواء بالغسل اليدوي أو باستخدام دورة غسيل قصيرة وذات حرارة منخفضة في غسالة الأطباق.

L3 لمبة LED سرعة (قدرة) الشفط القوية - توقيت مبرمج (5 دقائق).

L4 لمبة LED تشبّع الفلاتر:

مومضة: قم بإجراء صيانة فلتر الكربون.

مشتعل: قم بإجراء صيانة فلتر الدهون.

L5 لمبة LED سرعة (قدرة) الشفط المنخفضة «صامتة»

L1+L2+L3 مومضة بالتتابع: تشغيل تلقائي عند ارتفاع درجة الحرارة (انظر الفقرة ذات الصلة)

### إعادة ضبط تشبّع الفلاتر

بعد صيانة الفلاتر اضغط طويلاً على الزر T1، لإطفاء لمبة LED - L4.

### تنشيط لمبة LED تشبّع فلتر الكربون

عادة تكون لمبة LED المشيرة إلى تشبّع فلتر الكربون غير نشطة. لتنشيطه، اتّبِع الخطوات التالية:

عندما يكون شفاط المطبخ مُطفئاً، اضغط باستمرار، وفي أن واحد على T1 و T4: يومض في الأول L1 ثم يليه L2 للإشارة إلى نجاح التنشيط.

إلغاء تنشيط لمبة LED تشبّع فلتر الكربون: كرر العملية المذكورة أعلاه، يومض في الأول L1 و L2 ثم L1 فقط للإشارة إلى إلغاء التنشيط.

### تشغيل تلقائي عند ارتفاع درجة الحرارة

يتوفر شفاط المطبخ على مجس استشعار الحرارة. وعند ارتفاع درجة الحرارة يقوم المجس بتشغيل سرعة (قدرة) الشفط المتوسطة تلقائياً. ويتوقف الشفاط بمجرد استشعار المجس لانخفاض درجة الحرارة على نحو ملحوظ.

### موديلات مجهزة بلوحة أزرار SOFT-TOUCH

#### AHBS 9.7F LTI X - AHC 9.7F ATI X



لاختيار وظائف شفاط المطبخ يكفي لمس الأوامر:

T1. زر ON/OFF (تشغيل/إيقاف) محرك الشفط

T2. زر اختيار سرعة (قدرة) الشفط المتوسط

T3. زر اختيار سرعة (قدرة) شفط التشغيل العالية والقوية.

اضغط مرة واحدة لاختيار سرعة (قدرة) الشفط العالية (لمبة LED - L3 مضيئة)؛

اضغط مرة أخرى لاختيار سرعة (قدرة) الشفط القوية (لمبة LED - L3 مومضة).

ملاحظة: تدوم سرعة (قدرة) الشفط القوية مدة 5 دقائق

تقريباً، يتم بعدها ضبط سرعة (قدرة) الشفط العالية تلقائياً.

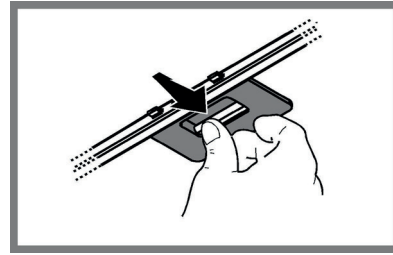
T4. زر التوقف التلقائي (الموقت) و مؤشر تشبّع فلتر الكربون:

توقف تلقائي:

اضغط على هذا الزر لضبط التوقف التلقائي لسرعة (قدرة) الشفط النشطة:

سرعة (قدرة) الشفط صامتة: 10 دقائق

في حالة غسل الفلتر في غسالة الأطباق، فقد يتغير لون فلتر الدهون المعدني، إلا أن هذا لا يؤثر على جودة أدائه. لاستخراج فلتر الدهون، يجب سحب مقبض الزنبرك.



### صيانة فلتر الكربون

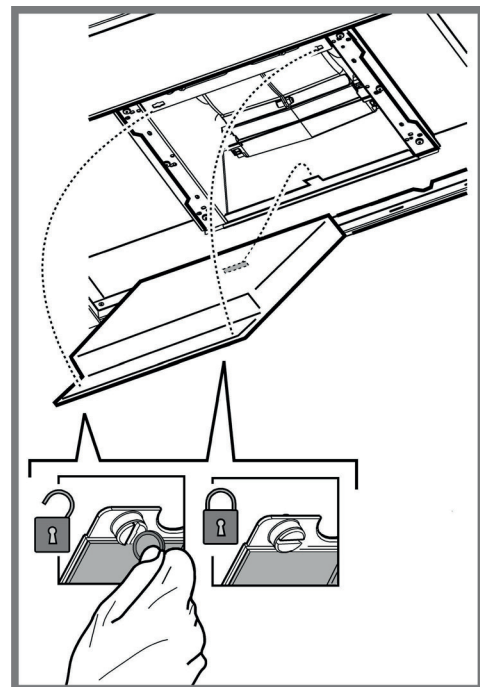
يقوم فلتر الكربون بالتقاط وامتصاص روائح الطهي غير المستحبة. يتعرض فلتر الكربون للتشبع بعد وقت متفاوت، وذلك تبعاً لنوع الطهي وكيفية تنظيف فلتر الدهون. في جميع الحالات من الضروري استبدال الخرطوشة مرة كل أربعة أشهر على الأقل (أو عندما يشير مؤشر تشبع الفلاتر إلى ضرورة تنظيفه - إذا كان الموديل يتوفر على هذه الميزة -). غير قابل للغسل أو إعادة التجديد

### التركيب:

قم بتثبيت فلتر الكربون النشط بدءاً من الخلف على الطرف المعدني لشفاط الهواء، ثم من الأمام بواسطة المقبضين.

### التفكيك:

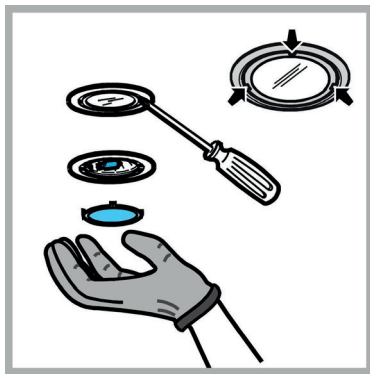
لإزالة فلتر الكربون، يجب تدوير المقابض التي تثبته إلى الشفاط بزاوية 90 درجة.



### استبدال المصاييح

AHGC 9.7F AB X - AHBS 6.7F AL X - AHBS 9.4 AM X  
AHBS 9.7F AL X - AHF 9.4F AM X - AHF 6.4F AM X  
AHC 9.7F ATI X - AHC 9.7F AB X

- قم بفصل الجهاز عن مصدر التيار الكهربائي. **تحذير!** تحقق من أن المصاييح باردة قبل لمسها. استبدل المصباح القديم بأخر من نفس النوع كما هو مشار إليه في الملصق الموجود بالقرب من المصباح نفسه على شفاط المطبخ.
1. قم بإزالة الواقي عن طريق فتحه للخارج باستخدام مفك براغي مسطح الرأس، أو أي شيء مشابه.
  2. استبدل اللبة القديمة.
  3. استعمل فقط مصاييح الهالوجين 12 فولت 20- واط كحد أقصى- من النوع G4، وتوخي الحذر من لمسها بيديك.
  3. أعد تركيب الواقي (تثبيت وتعشيق).




### AHBS 9.7F LTI X

الشفاط مزود بنظام إضاءة قائم على تكنولوجيا المؤشرات الضوئية (LED). تتضمن لمبات LED إنارة مثالية، وتدوم 10 أضعاف المصاييح التقليدية وتسمح بتوفير 90% من الطاقة الكهربائية.

يرجى الاتصال بخدمة الدعم الفني لاستبدالها.

### التخلص من الجهاز

يتوافق هذا الجهاز مع متطلبات اللوائح الأوروبية رقم 19/2012/ EC المتعلقة بالأجهزة الكهربائية والإلكترونية (نفايات الأجهزة الكهربائية والإلكترونية - WEEE). التخلص من الجهاز على نحو صحيح يساهم في حماية البيئة ومن الآثار الوخيمة على الصحة العامة.

يشير الرمز  الموجود على المنتج أو على المستندات المصاحبة له، إلى عدم اعتبار هذا المنتج والتعامل معه وكأنه من المهملات المنزلية، بل يجب التخلص منه في مركز لفرز مخلفات الأجهزة الكهربائية والإلكترونية. ينبغي التخلص من المنتج وفقاً للوائح المحلية المتبعة للتخلص من المهملات. لاطلاع على المزيد من المعلومات عن التخلص من هذا المنتج، أو استعادته أو إعادة تدويره، يُرجى الاتصال بالهيئات المحلية، أو مركز الخدمة المحلي للتخلص من النفايات، أو جهة البيع التي اشترت الوحدة منها.

تم تصميم الجهاز واختباره وتصنيعه وفقاً للوائح التالية::

- **السلامة:** EN/IEC 60335 1; EN/IEC 60335 2-31; EN/IEC 62233.
- **الأداء:** ISO 5167; EN/IEC 3-ISO 5167; EN/IEC 61591; ISO 5167.
- EN/IEC 60704 1; EN/IEC 60704 2-13; EN/IEC 60704 3; EN/IEC 50564; ISO 3741.
- EN/IEC 62301.
- **EMC:** EN/IEC 2-CISPR 14; EN 55014 2; EN/IEC 2-CISPR 14; EN 55014 1.

## البيانات الفنية

الموديل	الارتفاع (cm)	العرض (cm)	العمق (cm)	Ø قطر أنبوب التصريف (سم)
AHBS6.7FALX	114 - 61,9 114 - 70,4	59,8	45	12-12,5-15
AHBS9.4FAMX AHBS9.7FALX	114 - 61,9 114 - 70,4	89,8	45	12-12,5-15
AHF6.4FAMX	112,5 - 60 112,5 - 68,5	59,8	45	12-12,5-15
AHF9.4FAMX	112,5 - 60 112,5 - 68,5	89,8	45	12-12,5-15
AHGC9.7FABX	114,8 - 62,3 114,8 - 70,8	89,8	45	12-12,5-15
AHBS9.7FLTIX	112,5 - 60 112,5 - 68,5	89,8	45,5	12-12,5-15
AHC 9.7F ATI X	109 - 66,5 115 - 75	89,8	50,5	12-12,5-15
AHC 9.7F AB X	109 - 66,5 115 - 75	89,8	50	12-12,5-15

انظر لوحة البيانات حول الاستهلاك الكلي واستهلاك المصباح.

**AHGC 9.7F AB X - AHBS 6.7F AL X - AHBS 9.4 AM X**

**AHBS 9.7F AL X - AHF 9.4F AM X - AHF 6.4F AM X**

**AHC 9.7F ATI X - AHC 9.7F AB X**

الأبعاد (ملم)	التوصيل	الجهد (فولت)	القدرة (واط)
33xØ10	G4	12	20 x 2 واط هالوجين 20 واط

**AHBS 9.7F LTI X**

الشفاط مزود بنظام إضاءة قائم على تكنولوجيا المؤشرات الضوئية (LED). يرجى الاتصال بخدمة الدعم الفني لاستبدالها.



مكونات غير مرفقة مع المنتج.

2;3-61000; 3-3-EN/IEC 61000. نصائح للاستخدام السليم من أجل الحد من الأثر البيئي: عند البدء في الطهي، يستحسن تشغيل شفاط المطبخ على السرعة الدنيا، وتركه لعدة دقائق، ونفس الشيء بعد الانتهاء من الطهي. زيادة سرعة الشفط فقط في حالة تصاعد كميات كبيرة من الدخان والبخار، واستخدام وظيفة البوستر في الحالات القصوى فقط. للحفاظ على كفاءة جيدة لنظام الحد من الروائح، يجب استبدال فلتر / فلاتر الكربون عند الضرورة. للحفاظ على كفاءة فلتر الدهون ينبغي تنظيفه عند الضرورة. لتحسين الكفاءة وتقليل الضوضاء، يجب أن يكون قطر أنابيب التصريف الوارد وصفها في هذا الدليل في حده الأقصى.

## مشاكل التشغيل

في حالة وجود خلل، يرجى القيام بالفحوصات البسيطة التالية قبل طلب خدمة الدعم والمساعدة:

- شفاط المطبخ لا يعمل:  
تحقق من:  
- ليس هناك انقطاع للتيار الكهربائي.  
- تم اختيار سرعة معينة.  
• مردودية شفاط المطبخ رديئة:  
تحقق من:  
- سرعة المحرك المختارة كافية لشفط كمية الدخان والأبخرة الناتجة.  
- توفر المطبخ على تهوية كافية للسماح بدخول الهواء.  
- لم يتم بعد استهلاك فلتر الكربون (شفاط المطبخ العامل بالفلتر).  
• إذا توقف شفاط المطبخ أثناء التشغيل العادي:  
تحقق من:  
- ليس هناك انقطاع للتيار الكهربائي.  
- عدم تدخل قاطع دائرة التيار الكهربائي.

في حال وجود أي خلل، وقبل الاتصال بمركز الخدمة قم بفصل التيار الكهربائي ونزع القابس لمدة لا تقل عن 5 ثواني، وتوصيله مرة أخرى. في حالة استمرار الخلل، يرجى الاتصال بخدمة الدعم والمساعدة.





LIB0117725A