



ARISTON

COMFORT ALWAYS ON



Electric Storage
Water Heater

ANDRIS SLIM 20

HOT WATER | RENEWABLE

ANDRIS SLIM 20 Electric Storage Water Heater



ITALIAN ART DESIGN
BY UMBERTO PALERMO

ELEGANT AND SMART USE OF SPACE

- Customised design for Singaporeans' homes (HDB & Condominium)
- Italian designed to suit any kind of bathroom decorations, no longer a need to hide unsightly water heaters



TITANIUM ENAMELED
TANK



SLIM, ELEGANT
& SPACE SAVING DESIGN



DURABLE COPPER
HEATING ELEMENT



TEMPERATURE
REGULATOR KNOB



TOTAL SAFETY SYSTEM



SHOWER READY
CONTROLLED.
BLUE INDICATOR



ENERGY EFFICIENT
WATER INLET
FLOW CONTROL



EASY
MAINTENANCE



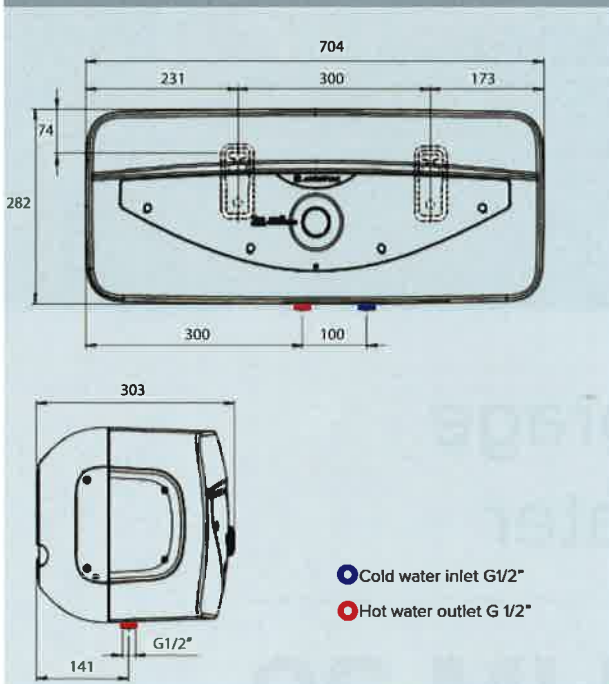
PROTECTION FROM
WATER SPLASH (IPX1)



HIGH DENSITY
HEAT INSULATION

TECHNICAL DATA

SL 20 2.5 SIN



Capacity	(L)	20
Power	(W)	2500
Voltage	(V)	230
Heating time ($\Delta T=35^{\circ}\text{C}$)	(h:min)	0:20
Max. working temperature	($^{\circ}\text{C}$)	70
Max. working pressure	(bar)	7.5
IP Protection	(IPX)	1
Heating element	(Material)	Copper

CODE

3180406

ARISTON THERMO PTE LTD

1 Gateway Drive, #20-05/06, Westgate Tower, Singapore 608531

T: [+65] 6226 0292 F: [+65] 6226 0361

E: info.sg@aristonthermo.com