

Rubine™
Indulge in the Aqua Lifestyle

BOW RAIN Series



**Built-in Booster
Pump**

RUBINE is a leading and established Italian brand in the bathroom and kitchen industry. Within a span of 15 years, Rubine has built a strong presence in many markets in the region, including Singapore and Malaysia.

Known for its contemporary design, functionality and quality, Rubine continues to develop products which will not only embellish customers' homes but will also offer practical benefits.

BOW Series

The popular BOW series of electric instant water heater from Rubine is developed with the concept of making the heater aesthetically versatile in blending and matching with any bathroom decor. Other than the slim and elegant design, the heater is equipped with UL-approved high quality heating element and 120mm water saving chromed black or white hand shower. An easy installation shower kit plus flexible height mounting bracket (adjustable between 500mm-600mm) will also be included. They are available in Black and White.

BOW RAIN Series

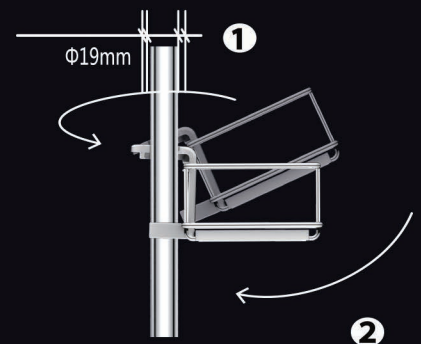
BOW Rain series, another premium edition of water heater from Rubine that embraces all the features of BOW series water heater. It is developed with booster pump to boost up the water pressure where the water flow is highly variable. This innovative heater comes with a matching colour 120mm hand shower and 205mm rain shower set with features like water saving, durable tube connector, 360° rotating diverter and anti-twist flexible hose. They are available in Black and White.



Shower Caddy (Optional)

What's more, for convenience, you can add on an easy-fix RUBINE shower caddy to the heater shower rod and bring your shower lotion & cleanser nearer to your use. They are available in Black and White.

Material : ABS, Stainless steel
Size: 304 x 107 x 85mm
Load-bearing: 5kg
Diameter: 19mm



How to install:

- Step 1 : Hook the shower caddy onto the shower sliding bar.
- Step 2 : Flip down the shower caddy and ready to use.

Black Or White-

Innovative, Slim, Elegant



Product Features



Booster Pump is designed to boost up the water pressure where the water flow is highly variable



Splash Proof Protection (IP25 Protection)



UL-Approved High Quality Heating Element Technology from UK



3-IN-1 Compact Stop, Flow & Filter Valve



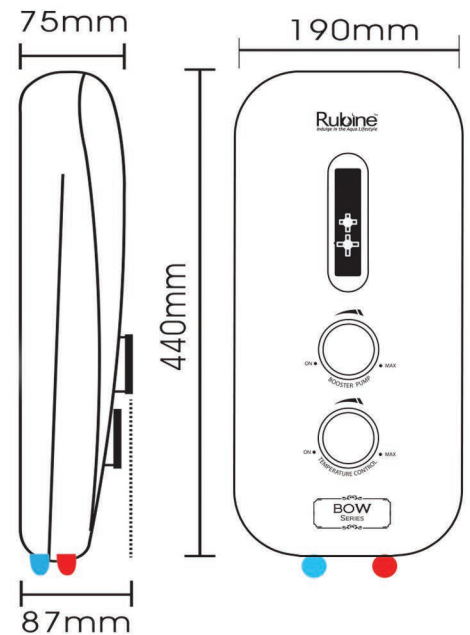
Built-In Auto Water Flow Sensor



Water Saving for Rain & Hand Shower

RWH-2388BHP
RWH-2388WHP

Product Dimension



Technical Data

PRODUCT TYPE	RWH-2388BHP & RWH-2388WHP
Electrical loading	3.5kW 230V 50/60Hz
Other Range	Please refer Electrical loading Table
Operating Condition	Open System (Open Outlet)
Water Connection	Ø15.0mm (1/2" BSP)
Degree of Protection	IP25
Minimum Water Flow Rate	2 litre/min
Minimum Water Pressure	0.2 bar (20kPa / 2.9psi)
Maximum Water Pressure	4 bar (0.4MPa / 58psi)
Pump Type	Booster Pump
Heater Dimension (mm)	440(H) x 190(W) x 87(D)
Heater Nett Weight	2.0kg

Tested by:



Rainshower 5E Features



Eco Water Saving Up to 50%

Two Water Saver Chips (in the rain shower and the hand shower) maintain the water flow rate within a suitable level at any water pressure, hence helping you to save water up to 50%



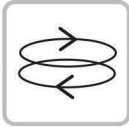
Enjoyable Soothing Sensation

To ensure that you have a soothing and relaxing shower, RUBINE has specially designed with the diameter of 205mm and the extra wide 120mm hand shower



Extra Durable Tube Connector

Tube connectors are equipped with Triple O-rings to ensure extra durability. As such, they can withstand a higher water pressure to prevent water leak



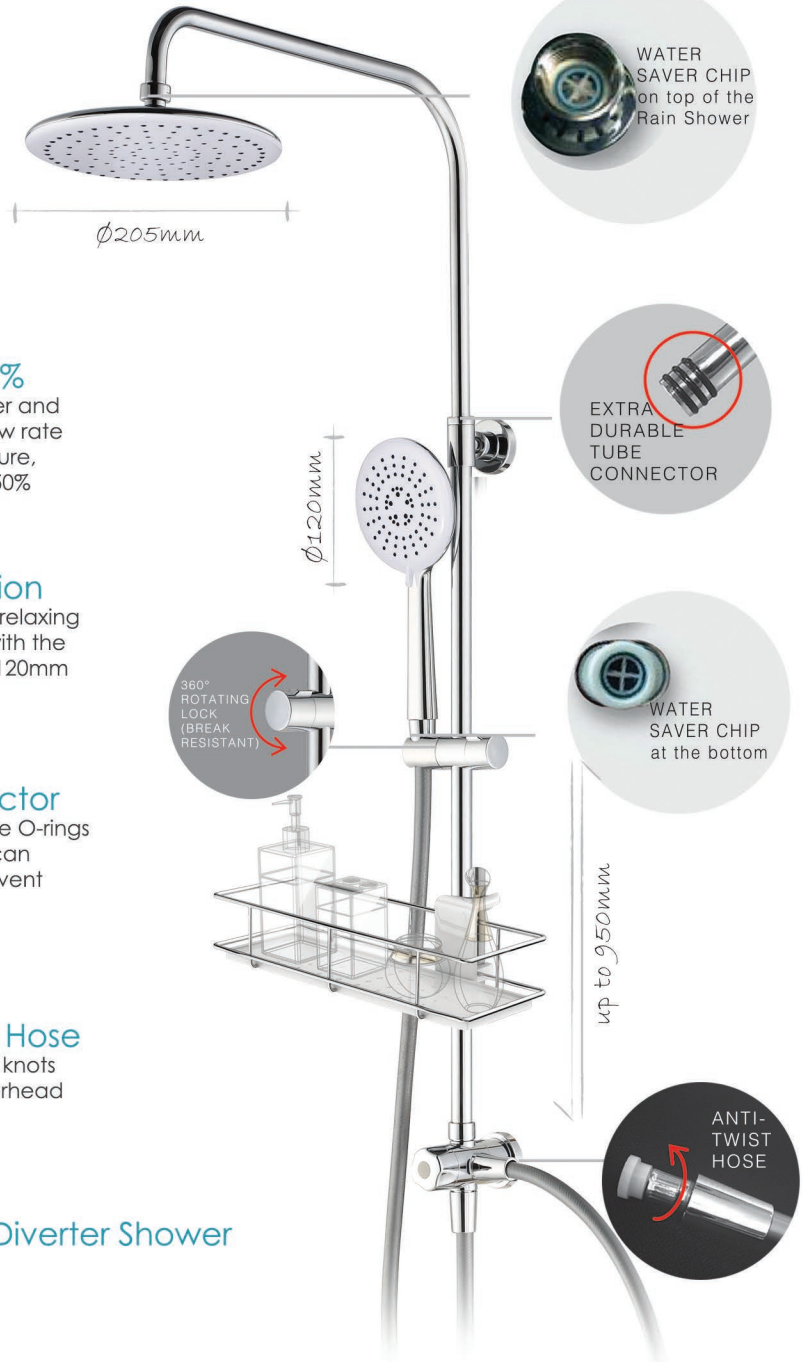
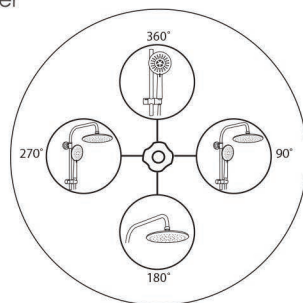
Effective Anti-Twist Flexible Hose

The anti-twist hose prevents any loops or knots regardless of how many times the showerhead is twisted around

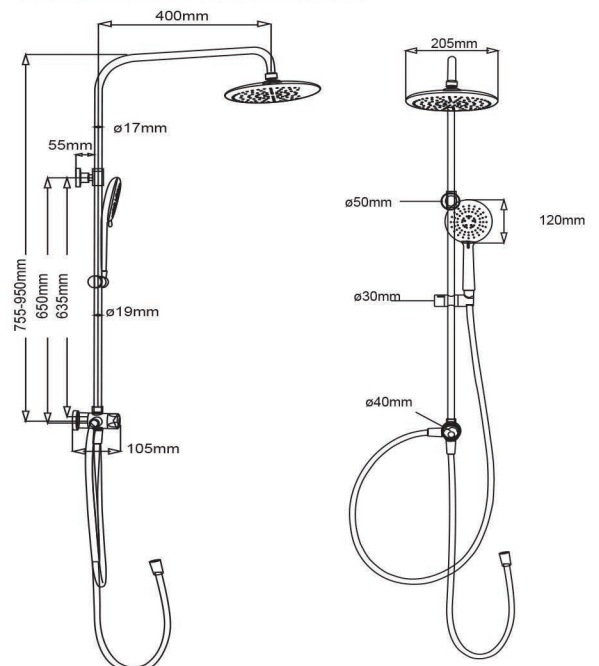


Exhilarating 360° Rotating Diverter Shower

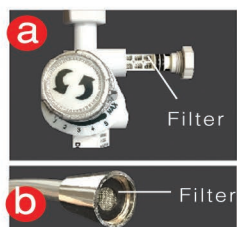
90° - Rainshower + Handshower
 180° - Rainshower
 270° - Rainshower + Handshower
 360° - Handshower



Rainshower Dimension



MAINTENANCE TIPS



For smooth flow & purified water, wash the Stop Valve Filter (a), and Hose Filter (b) thoroughly every month or when necessary.



RWH-1388B
RWH-1388W

Product Features



Easy Installation
Adjustable Shower Bracket



Water Saving 3 Function Hand Shower



UL-Approved High Quality Heating Element
Technology from UK



Splash Proof Protection (IP25 Protection)



Built-In Auto Water Flow Sensor

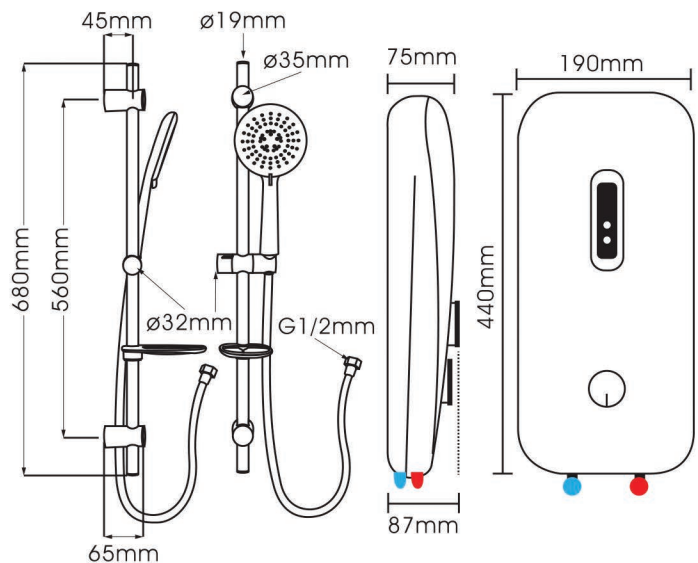


3-IN-1 Compact Stop, Flow & Filter Valve

Technical Data

PRODUCT TYPE	RWH-1388B & RWH-1388W
Electrical loading	3.5kW 230V 50/60Hz
Other Range	Please refer Electrical loading Table
Operating Condition	Open System (Open Outlet)
Water Connection	Ø15.0mm (1/2"BSP)
Degree of Protection	IP25
Minimum Water Flow Rate	2 litre/min
Minimum Water Pressure	0.2 bar (20kPa / 2.9psi)
Maximum Water Pressure	4 bar (0.4MPa / 58psi)
Heater Dimension (mm)	440(H) x 190(W) x 87(D)
Heater Nett Weight	1.3kg

Product Dimension



Tested by:



www.rubine.it



Rubine S.r.l
Via Ponchielli 26
10024 Moncalieri
Torino/Italy
Email: enquiries@rubine.it
[Facebook.com/rubineitaly](https://www.facebook.com/rubineitaly)

Marketed by:
Casa (S) Pte Ltd
15 Kian Teck Crescent
Singapore 628884
T: (+65) 6268 0066
F: (+65) 6266 8069
www.casaholdings.com.sg