

60 4-burners Electric Oven BX | RI64C61BX



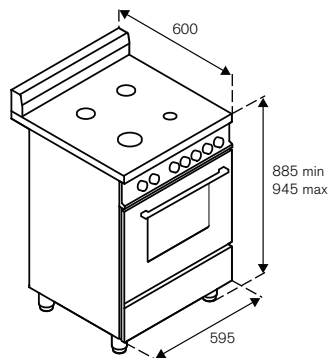
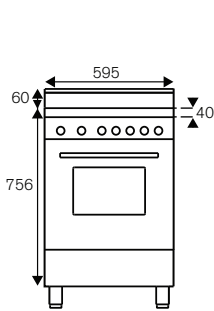
This single-oven cooker has a stainless-steel single-piece worktop with 4 burners, including a high-performance triple-ring burner with precise control from low simmer to high output.

Oven Features

Size	60 cm	Cooking Zones	Triple ring - 3,5Kw
Gas Zones	4	Oven Type	Electric
Worktop Type	Gas	Oven Volume	56L
Worktop Controls	Knobs	Oven Levels	5
Knobs	Red	Wire Shelves	2
Burner Type	Aluminium	Tray	1 - 40mm deep
No. of Oven Functions	9	Oven Lights	1
Special Functions	Cast iron support, One-hand ignition, Flame failure device, Upstand	Grill mesh	1
		Inner oven door	Triple

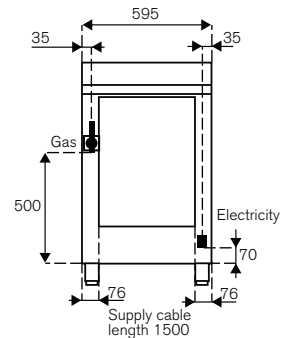
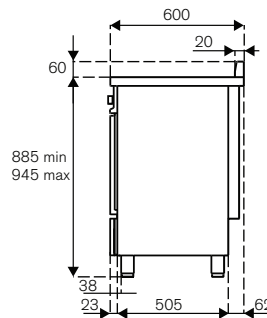
Dimensions (mm)

Actual (W x D x H) 595 x 600 x 945



Technical Specifications

Energy Rating A
Electrical Requirements 220/240 V - 50/60 Hz



Colours Available

