

Product information sheet SUBLINE 700-U Level

Item no. 526003

Benefits



- Undermount bowl for discerning demands on design
- Timelessly elegant, contoured bowl design
- 2 in 1: comfort und functioning on two levels
- With integrated functions level for depositing and draining
- Stainless steel multi-functional basket perfectly matched to the functions level
- High-quality features with covered C-overflow and InFino drain system – elegantly integrated and easy-care
- Optional versatile accessories are available

Colours



Available colours:

- black
- anthracite
- rock grey
- volcano grey
- alu metallic
- white
- soft white
- tartufo
- coffee

SILGRANIT black

Planning information

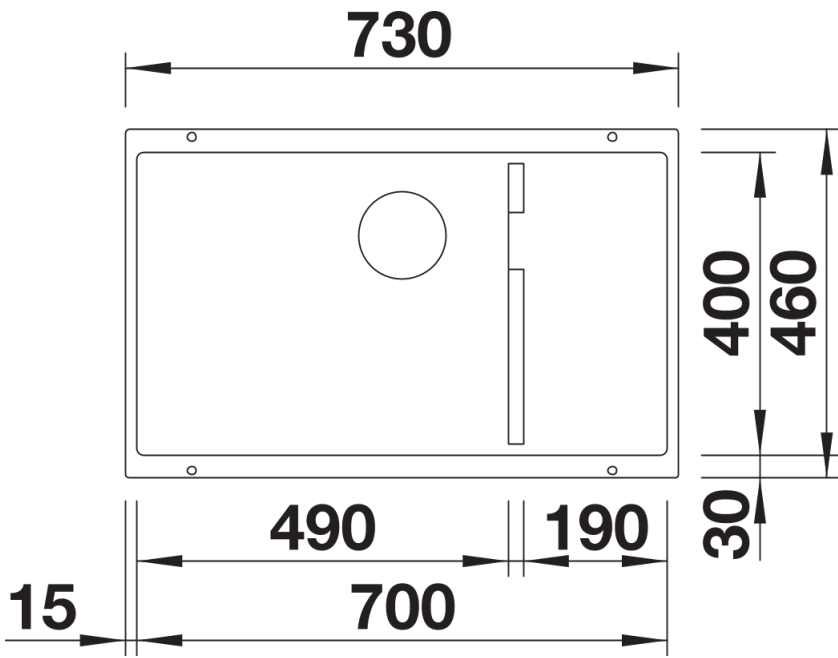
- Cut-out radius: 10 mm

Scope of supply

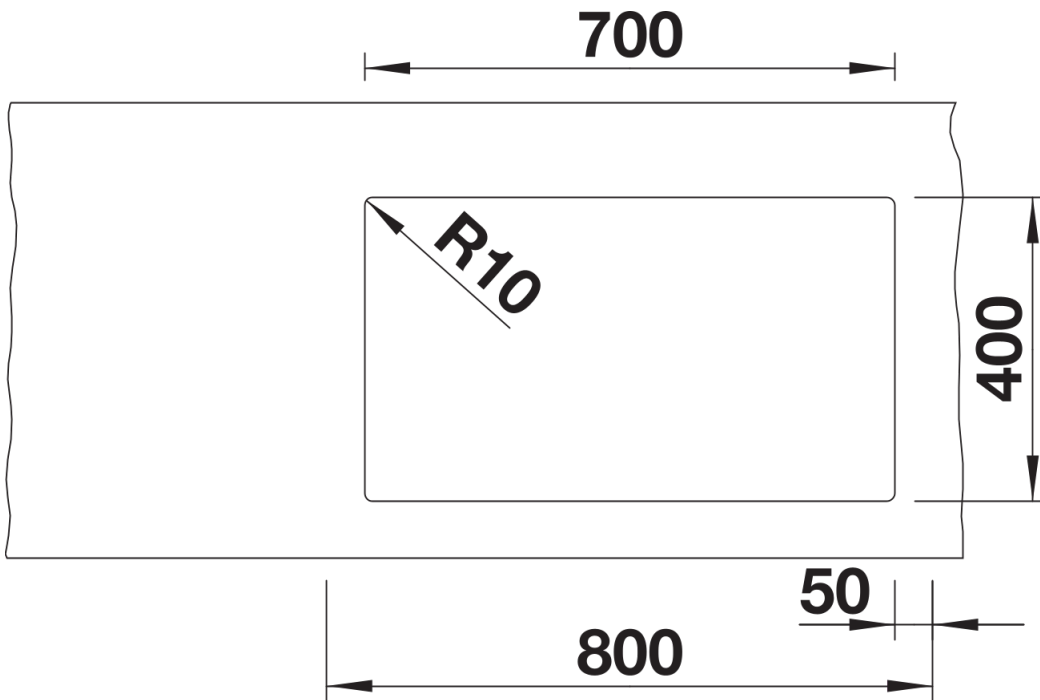
- multi-functional stainless steel basket
- waste kit with space-saving pipe
- 3 ½" InFino basket strainer
- fixing kit

223297 - Multifunctional wire basket

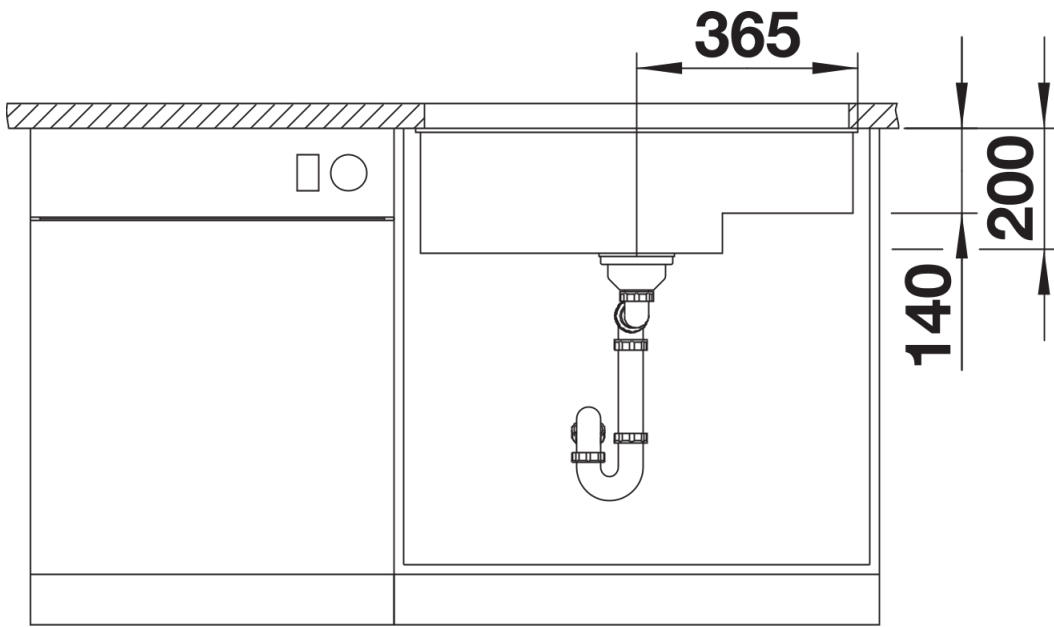
Details



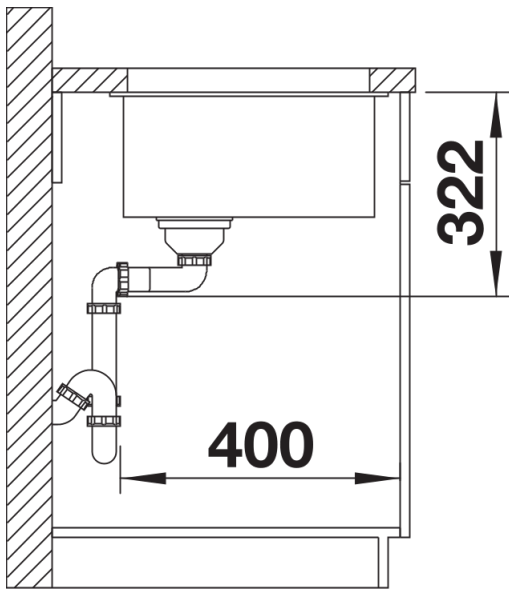
Top view



Cut-out



Front view



Side view